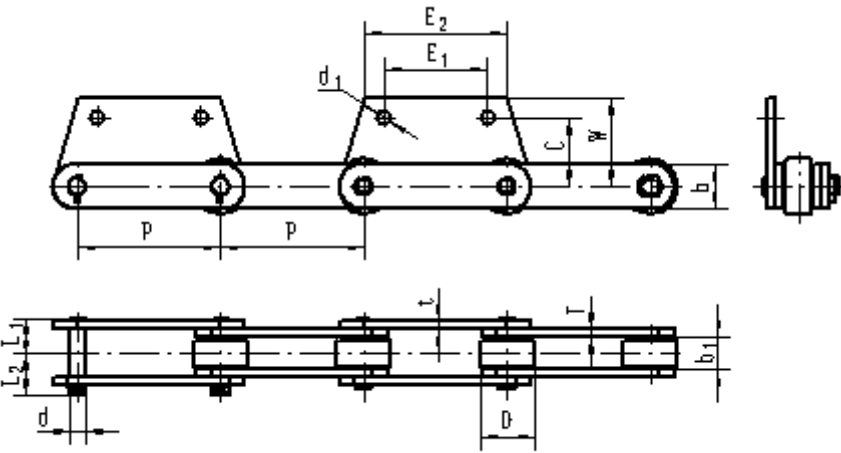
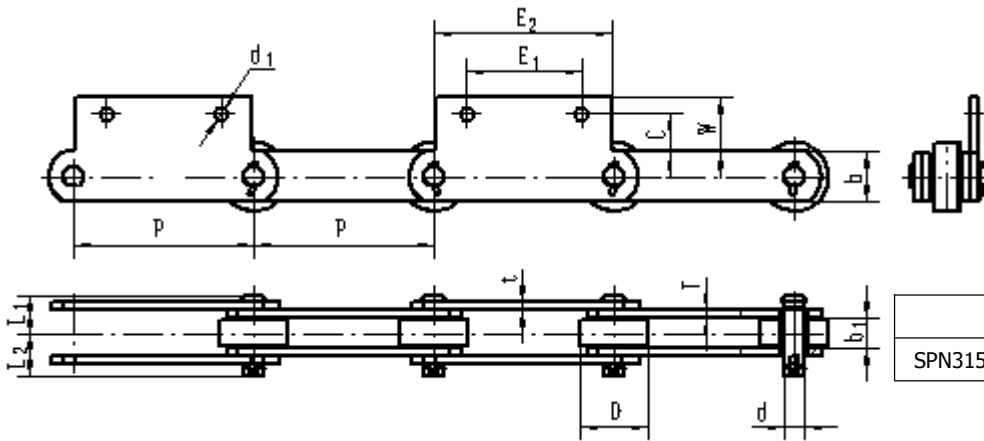


Feed Taking Machine Chains



	E 1	E 2	C	W	d 1
SPN250-SH 2	180	246	120	152.5	25
SPN250B-SH ₂	200	315	110	140	25
SPN250C-SH ₂	200	315	110	140	25
SPN250D-SH ₂	200	305	130	160	25

Chain No.	P mm	b 1(min) mm	D(max) mm						Qmin kN	q kg/m
				d mm	L 1 mm	L 2 mm	h mm	t/T mm		
SPN250-SH 2	250	55	95	30	62	70	75	14	750	39.97
SPN250B-SH 2	315	55	120	36	65	74	100	14	900	49.69
SPN250C-SH 2	315	55	120	36	64.9	66.7	100	14	900	49.4
SPN250D-SH 2	315	50	120	36	54.6	63.4	100	10	640	39.31

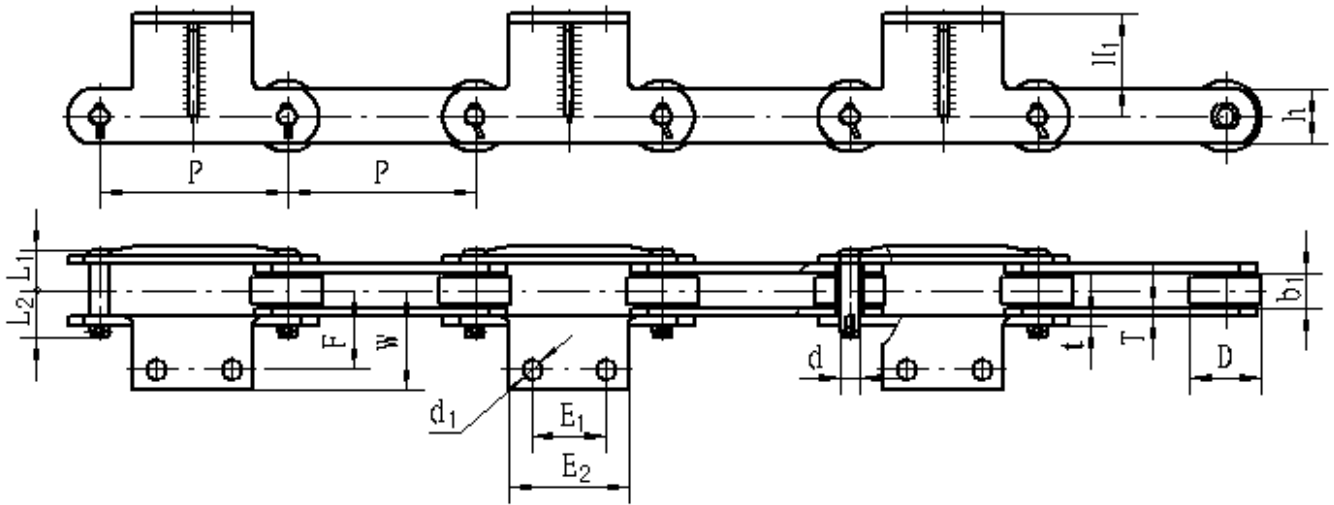


	E 1	E 2	C	W	d 1
SPN315-SH 2	200	315	110	139.5	25

Chain No.	P mm	b 1(min) mm	D(max) mm						Qmin kN	q kg/m
				d mm	L 1 mm	L 2 mm	h mm	t/T mm		
SPN315-SH 2	315	55	120	36	65	74	90	14	900	45.15

Q_{min} KN = Ultimate tensile strength

Feed Taking Machine Chains

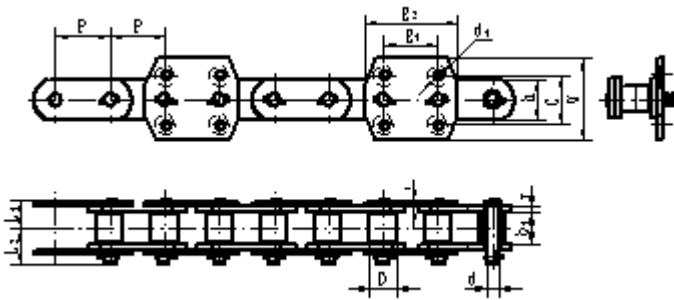


Chain No.	E_1	E_2	F	W	d_1	H_1
SPN250A-SK ₂ -2P	100	160	106	134.1	26	136
SPN250B-SK ₂ -2P	100	152	83	112	21	150
SPN315A-SK ₂ -2P	130	190	89.5	125.5	21	140

Chain No.	P mm	b_1 (min) mm	D (max) mm						Q _{min} kN	q kg/m
				d mm	L_1 mm	L_2 mm	h mm	t/T mm		
SPN250A-SK ₂ -2P	250	46	95	25	54.2	61.3	72	12	670	36.19
SPN250B-SK ₂ -2P	250	42	80	24	52	60	60	12	520	26.79
SPN315A-SK ₂ -2P	315	50	120	36	58.7	67.8	80	12	610	42.8

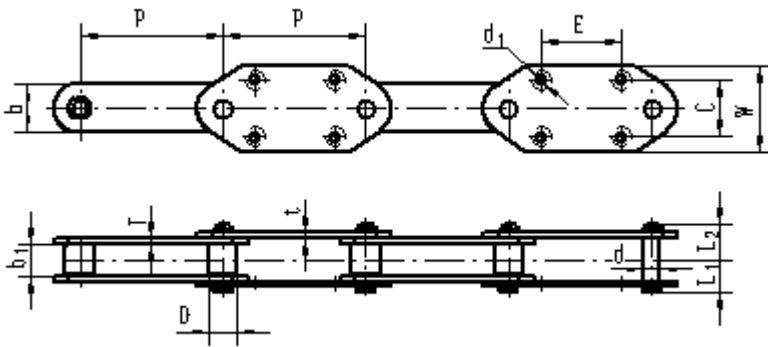
Q_{min} KN = Ultimate tensile strength

Bucket Elevator Chains



	E 1	E 2	C	W	d 1
NSE300	100	171	90	150	18
NSE300A	100	180	105	150	18
NSE300B	100	180	105	150	18

Chain No.	P mm	b 1(min) mm	D(max) mm						Qmin kN	q kg/m
				d mm	L 1 mm	L 2 mm	h mm	t/T mm		
NSE300	100	57	48.5	22.23	54.4	62.4	75	10	540	30.1
NSE300A	100	57	48.5	22.23	54.4	62.4	75	10	540	30.34
NSE300B	100	57	47.5	22.23	54.4	62.4	75	10	540	30

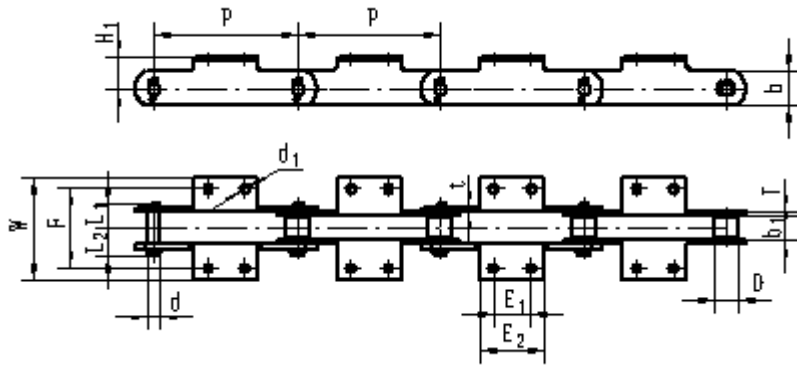


	C	W	E	d 1
0712	100	150	140	18
NE150	80	125	100	22.23
NE300	100	150	140	18

Chain No.	P mm	b 1(min) mm	D(max) mm						Qmin kN	q kg/m
				d mm	L 1 mm	L 2 mm	h mm	t/T mm		
0712	250	57.4	50.8	27	56	60	82	8/10	700	20.96
NE150	200	57	48.5	22.23	62.25	62.25	75	10	540	21.59
NE300	250	76	90	35	89	89	100	16	1000	53.21

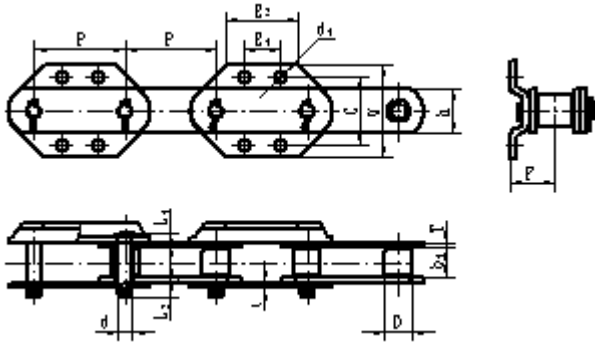
Q_{min} KN = Ultimate tensile strength

Bucket Elevator Chains



	E ₁	E ₂	F	W	d ₁	H ₁
M224T-S-250-BK ₂	65	112	140	180	16	55
M315T-S-315-BK 潰 ₂ 楯	100	150	160	216	18	65

Chain No.	P mm	b ₁ (min) mm	D(max) mm						Qmin kN	q kg/m
				d mm	L ₁ mm	L ₂ mm	h mm	t/T mm		
M224T-S-250-BK ₂	250	43	42	21	44.4	50.8	60	8	224	15.35
M315T-S-315-BK 潰 ₂ 楯	315	48	50	25	51.1	58.9	70	10	315	22.5

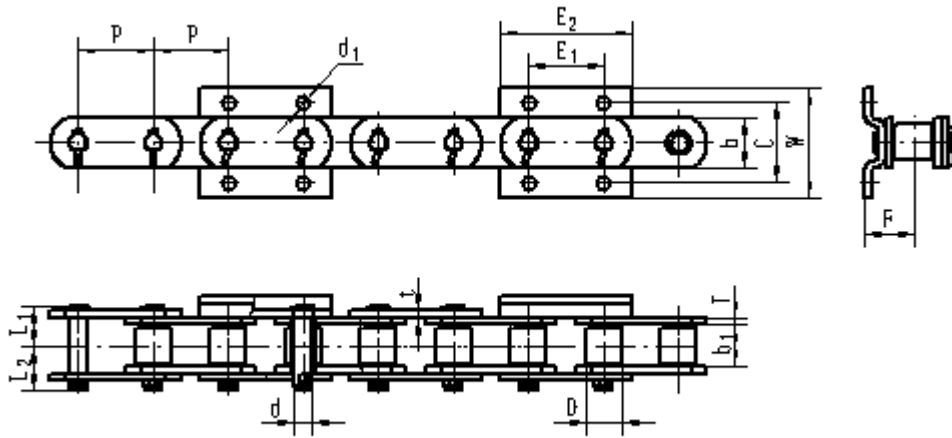


	E ₁	E ₂	C	W	d ₁	F
M112*100TA	40	80	75	102	14	40
M112*150TA	75	100	75	102	14	40
M112*150TB	75	100	75	102	14	40
SSN150-H4	75	116	100	141	18	63.6

Chain No.	P mm	b ₁ (min) mm	D(max) mm						Qmin kN	q kg/m
				d mm	L ₁ mm	L ₂ mm	h mm	t/T mm		
M112*100TA	100	32	30	15	34	37	40	6	112	5.79
M112*150TA	150	32	30	15	34	37	40	6	112	7.39
M112*150TB	150	30	29	15	32.8	36.3	40	6	200	7.57
SSN150-H4	150	54.5	50	25	54.6	64.4	72	9.8	460	24.43

Q_{min} KN = Ultimate tensile strength

Bucket Elevator Chains

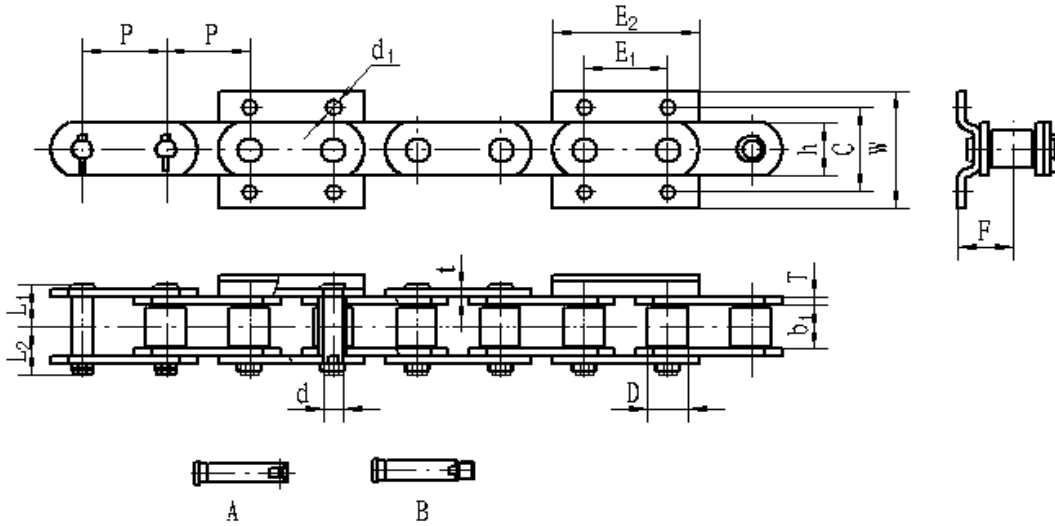


	E ₁	E ₂	C	W	d ₁	F
M160*75TA	75	143	80	110	14	50
SSN100-H4	100	168	100	160	18	62
M224*100TD	100	168	100	148	18	55
SSN125-H4	125	193	110	172	22	62
GX50125	125	210	110	172	22	78.5
GX60150	150	260	140	184	22	85
NSE500	125	210	125	172	18	78
NSE400D	100	180	105	155	18	68.5

Chain No.	P mm	b ₁ (min) mm	D(max) mm						Q _{min} kN	q kg/m
				d mm	L ₁ mm	L ₂ mm	h mm	t/T mm		
M160*75TA	75	41.8	36	18	40.8	45.7	56	7	160	17.37
SSN100-H4	100	57	50.8	24	55.4	61.6	63.5	9.5	539	27.8
M224*100TD	100	47	42	21	46.3	53.7	60	8	224	20
SSN125-H4	125	57	50.8	24	55.4	61.6	63.5	9.5	539	24.73
GX50125	125	70	62	33	69.2	79.3	80/90	12.7	980	46.24
GX60150	150	83	72	37	75.8	85.9	100/110	12.7	1274	57.74
NSE500	125	70	65	33	72.3	81.7	90	14	980	51.56
NSE400D	100	56.7	50	26	59.8	67.2	68	12	630	35.63

Q_{min} KN = Ultimate tensile strength

Bucket Elevator Chains

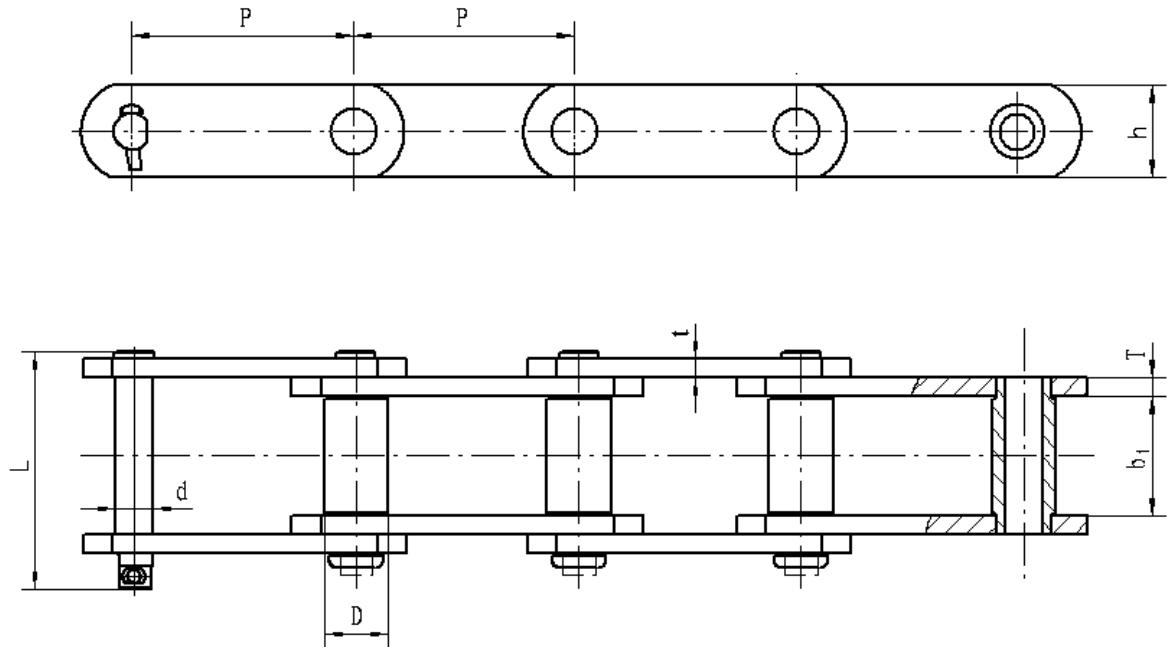


	$\cdot E_1$	E_2	C	W	d_1	F	Type
NSE200	100	148	100	156	18	59	A
NSE200A	100	148	100	156	18	59	B
NSE400	100	157	100	137	18	67	B
NSE400A	100	180	115	155	18	67	B
NSE400B	100	180	115	153	18	71.4	B
NSE400C	100	157	100	137	18	67	B
NSE100	75	132	90	124	14	50	A
NSE500A	125	226	136	176	18	83	B

Chain No.	P mm	b_1 (min) mm	D(max) mm						Qmin kN	q kg/m
				d mm	L_1 mm	L_2 mm	h mm	t/T mm		
NSE200	100	50	46	22	51.9	59.6	60	10	450	24.3
NSE200A	100	50	46	22	51.9	60.9	60	10	450	24.3
NSE400	100	53.7	50	24	53.9	66.6	68	10	630	28.7
NSE400A	100	53.7	50	26	57.9	70.1	68	12	630	34.86
NSE400B	100	60	55	28	61.4	83.6	78	12	790	41.68
NSE400C	100	53.7	48	24	53.9	66.6	68	10	630	28.02
NSE100	75	43.6	39	20	44.1	51.2	56	8	375	20.27
NSE500A	125	80	70	38	77	96	110	14	1100	67.11

Q_{min} KN = Ultimate tensile strength

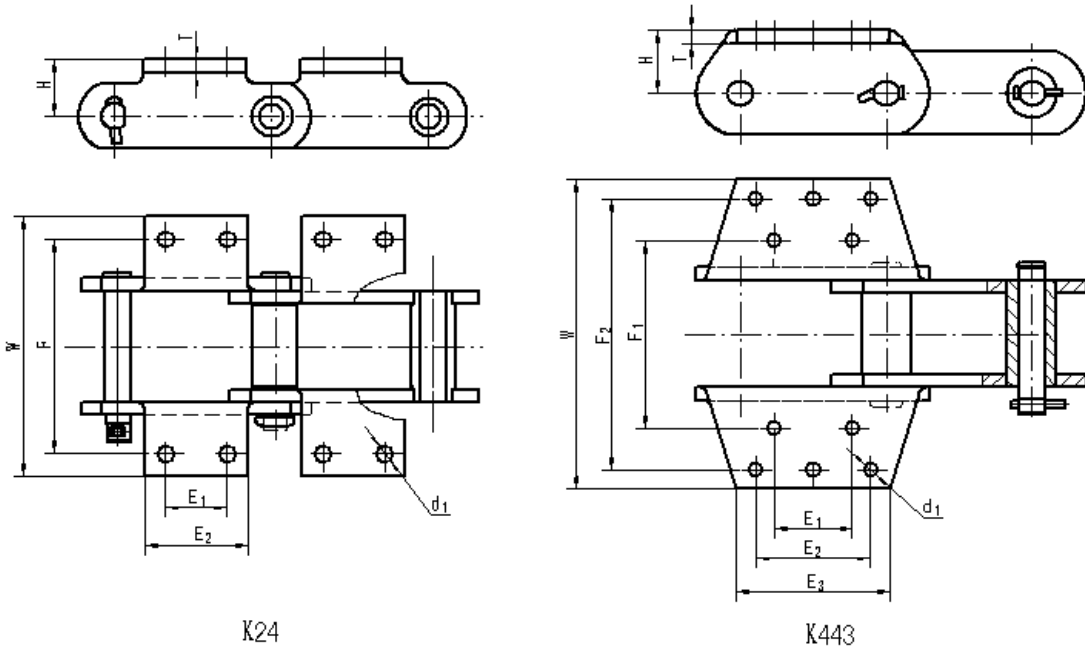
Bushed Chains



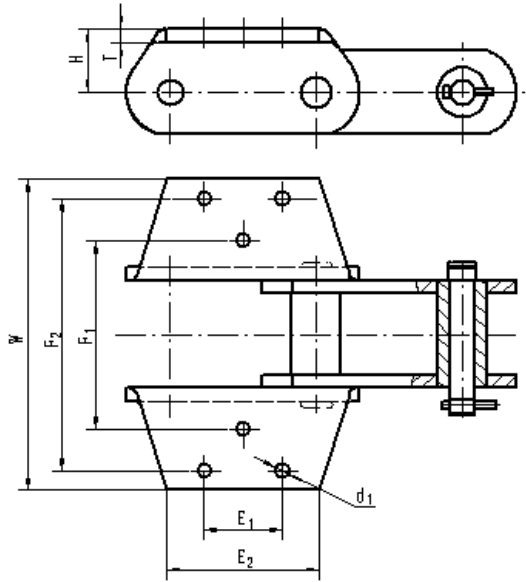
Chain No.	P mm	b 1(min) mm	D (max) mm					Qmin kN	q kg/m
				d mm	L mm	h mm	t/T mm		
HPT856	152.4	76.2	44.45	25.4	152.2	63.5	12.7	364.5	24.57
HPT956	152.4	74.9	44.45	25.4	152.2	76.2	12.7	431.2	24.72
HPT857	152.4	76.2	44.45	25.4	152.2	82.6	12.7	431.2	31.27
HPT958	152.4	76.2	50.8	28.7	154.2	82.6	14.3	431.2	31.27
HPT859	152.4	95.25	60.45	31.75	193.5	101.6	16	689	50.63
HPT150	153.67	84.8	44.45	25.4	161.5	63.5	12.7	377.8	24.72
HPT864	177.8	95.25	60.45	31.75	193.5	101.6	16	689	49.14
HPT984	177.8	92.25	63.5	35.1	186.7	101.6	15.7	689	49.14

Q_{min} KN = Ultimate tensile strength

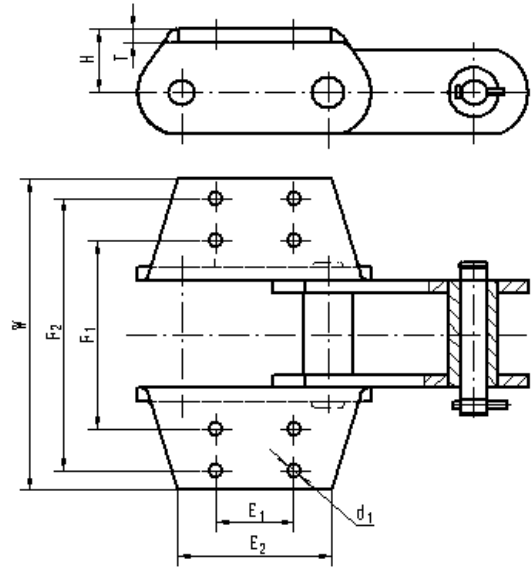
Attachments of Bushed Chains



Attachments of Bushed Chains



K35



K44