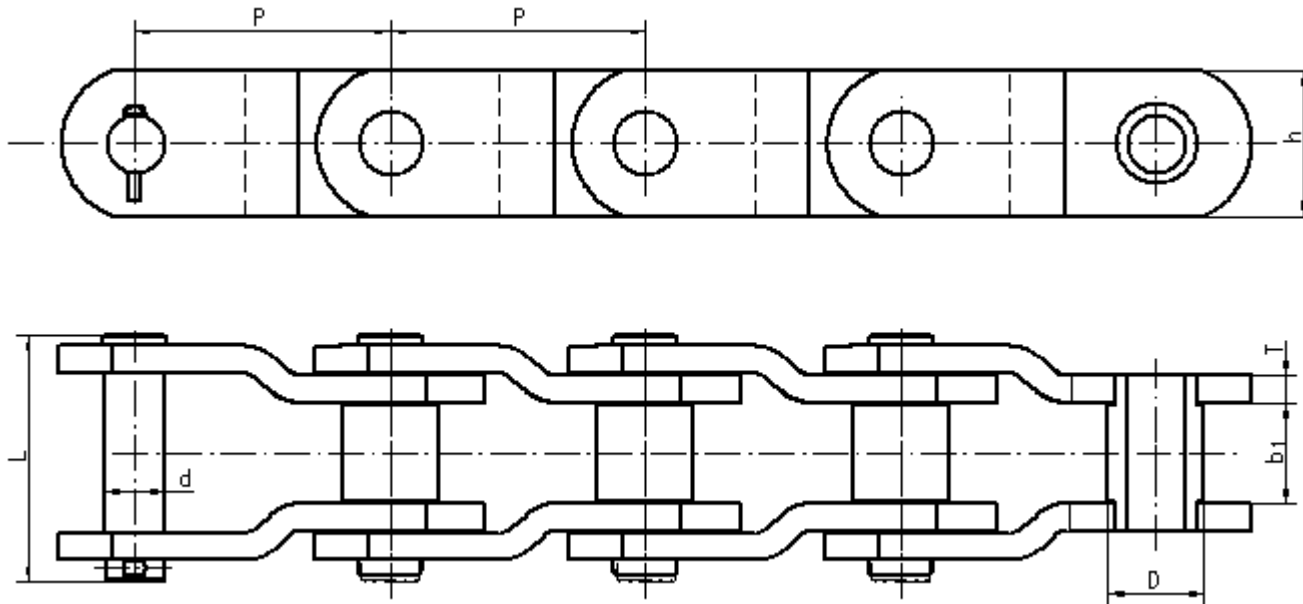


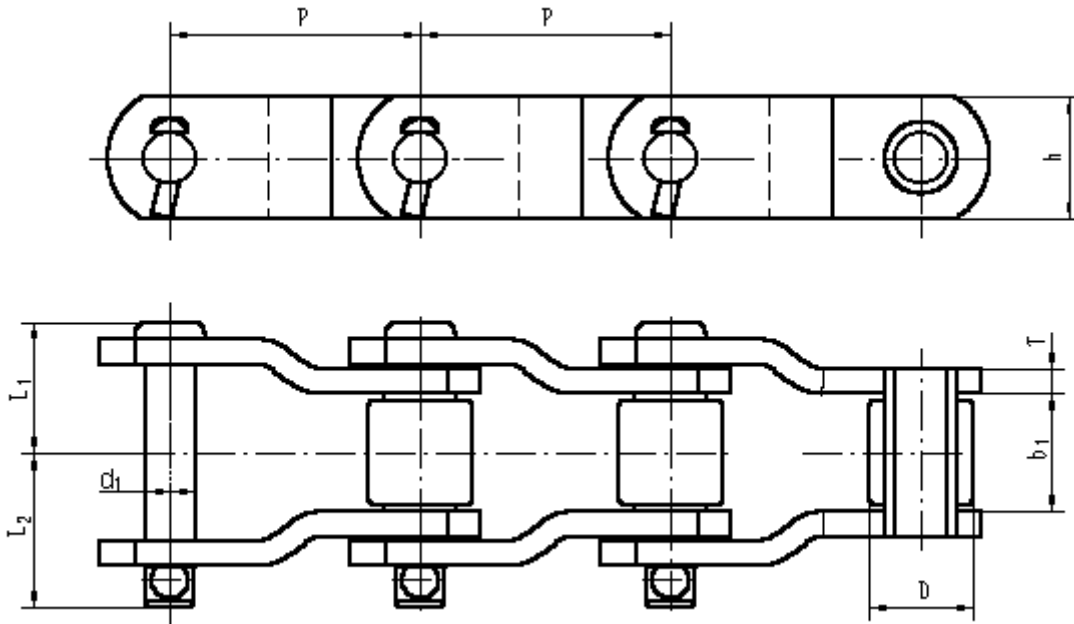
## Cranked Link Bushed Chains



Chain No.	P mm	b 1(min) mm	D mm			h mm	t/T mm	Q(min) kN	Rated working load kN	q kg/m
				d mm	L mm					
HPT 850	152.4	57.15	50.8	33.27	157	82.6	16	634.7	45.3	36.6
HPT 886	177.8	68.33	66.68	41.07	172.16	101.6	19.05	1300	92.8	60.18
HPT 6066	152.4	75.8	76.2	44.45	184	120.7	19.05	1778	124.5	81.3

Q<sub>min</sub> KN = Ultimate tensile strength

## Heavy-duty Cranked-link Transmission Chains



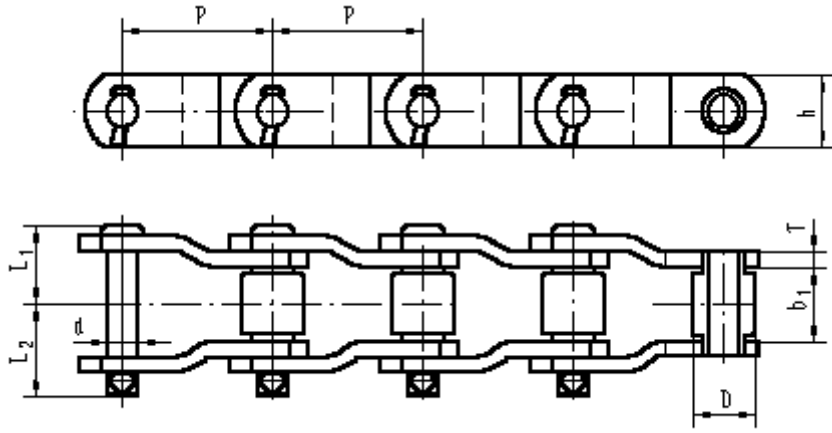
### Properties

H Thru-Hardened  
 CARB Carburized  
 SIH Selectively Induction Hardened

HPT Chain No.	ISO Chain No.	P mm	b <sub>1</sub> (min) mm							Roller		Q(min) kN	Rated working load kN	q kg/m
				d mm	L <sub>1</sub> mm	L <sub>2</sub> mm	Properties	h mm	T mm	D max mm	Properties			
HPT 2570	2010	63.5	37.9	15.88	41.9	46.2	TH	44.5	8	31.75	CARB	254	16.5	13.1
HPT 3067	2512	77.9	39	19.05	46.1	53.5	TH	50.8	9.5	41.4	TH	300	26.8	18.1
HPT 2512A		77.9	39	20.32	47	56	TH	54	9.5	41.4	TH	300	19.8	18.7
HPT 1568		77.9	38.61	19.05	46.1	52.5	SIH	57.15	9.5	41.27	TH	360	25.2	20.2
HPT 1037		78.1	36.83	16.51	44.9	49.3	SIH	44.45	9.5	31.75	TH	270	18.3	13.9
HPT I3P		78.1	37.5	16.5	45.5	50.9	TH	39.6	9.5	31.75	TH	330	22.7	12.4
HPT 1190		78.1	37.5	16.5	45.5	50.9	TH	44.45	9.5	31.75	TH	330	22.7	13.3
HPT 2814	2814	88.9	38.1	22.23	53.6	62	TH	60.5	12.7	44.45	TH	516	37.6	25.3
HPT 6214		101.6	68.66	31.55	68	76.9	SIH	69.85	12.7	57.15	TH	480	36	37.6
HPT 1240		103.2	48	22.1	58.1	65.9	SIH	50.8	12.7	44.45	TH	209	13.6	21.4
HPT 1244		103.2	48	22.1	58.1	67.5	SIH	54	12.7	44.45	TH	400	28	22.4
HPT I4P		103.2	50.8	22.23	60.2	67.5	TH	57.2	12.7	44.45	TH	666.8	41	23.8
HPT 3315	3315						TH					560	40.3	27.8
HPT 1245		103.45	47.63	23.8	62.9	71.4	SIH	60.3	14.3	45.23	TH	560	40.3	28.4
HPT 4073		103.45	48.8	25.4	62.8	70.3	TH	60.3	14.3	45.21	TH	755.7	52	27.8
HPT 4522	3618	114.3	52.3	27.94	63.8	72.2	TH	79.2	14.3	57.15	TH	760	53	38.1
HPT 635		114.3	50.8	27.94	62.6	71.7	SIH	76.2	14.3	57.15	TH	740	50.3	37.4
HPT 4523		118.11	52.3	27.94	67.2	75.6	TH	82.6	16	57.15	TH	850	63.7	41.9
HPT 5027	4020	127	69.4	31.75	78.5	84.5	TH	88.9	15.9	63.5	TH	1156	75.1	51.3
HPT 1306	4824	152.4	74.6	37.9	85.2	97	SIH	101.6	19.05	76.2	TH	1400	95.2	69.1
HPT 1030		78.1	36.83	15.75	41.4	46.8	CARB	38.1	8	32	TH	109	8	10.4

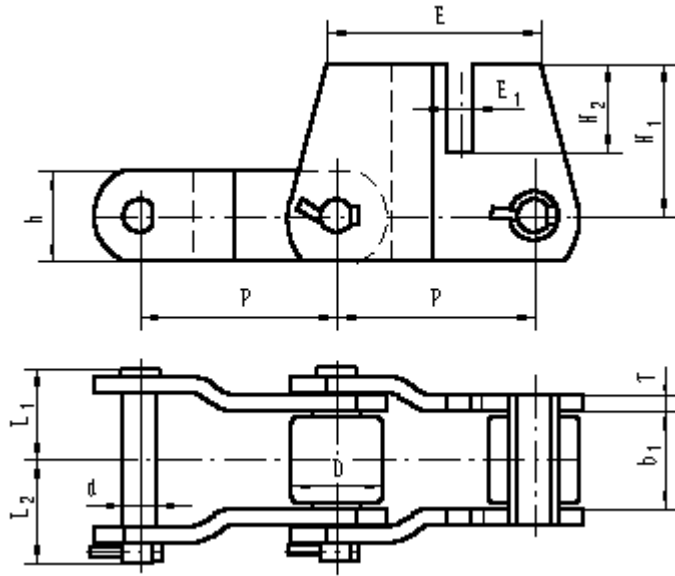
Q<sub>min</sub> KN = Ultimate tensile strength

## Heavy-duty Cranked-link Transmission Chains



Chain No.	P mm	b <sub>1</sub> (min) mm	D mm	Sidebar					Q(min) kN	Rated working load kN	q kg/m
				d mm	L <sub>1</sub> mm	L <sub>2</sub> mm	H mm	T mm			
HPT 886	177.8	68.33	66.68	41.07	82.8	89.4	101.6	19.05	1300	84.5	60.2
HPT 6066	152.4	75.8	76.2	44.45	86.1	97.9	120.7	19.05	1778	124.5	81.3

## Paver Chains



H 1 mm	H 2 mm	E 1 mm	E mm
117.47	69.84	20.6	165

Chain No.	P mm	b <sub>1</sub> (min) mm	D mm	Sidebar					Q(min) kN	Rated working load kN
				d mm	L <sub>1</sub> mm	L <sub>2</sub> mm	h mm	T mm		
HPT 9856-M2	152.4	74.93	69.85	25.4	70.8	78.6	69.85	12.7	596	47.7

Q<sub>min</sub> KN = Ultimate tensile strength