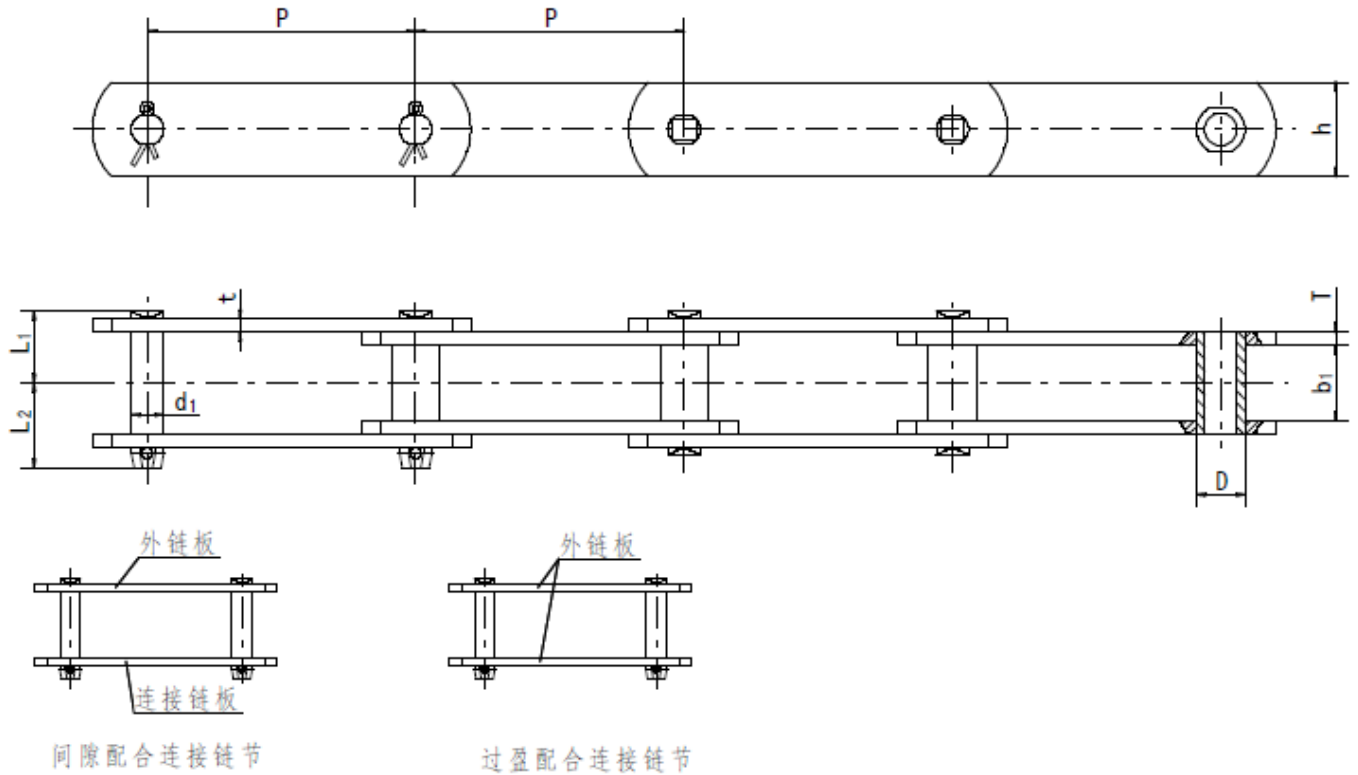
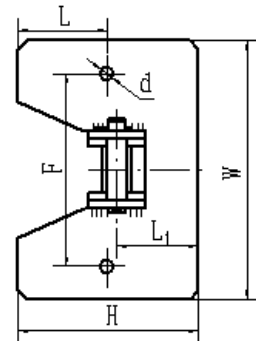
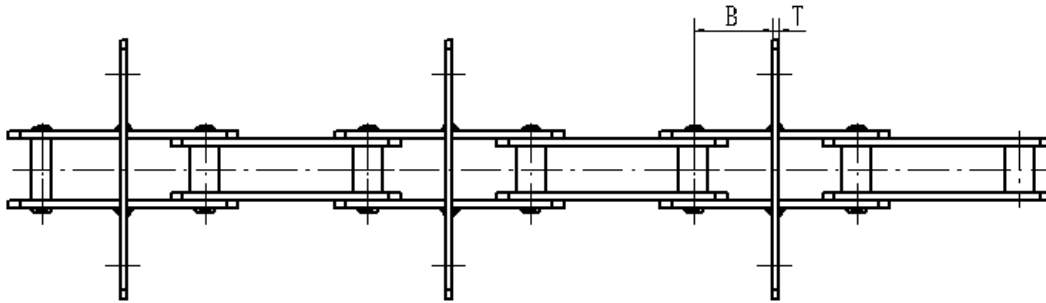


Grain Machine Chains

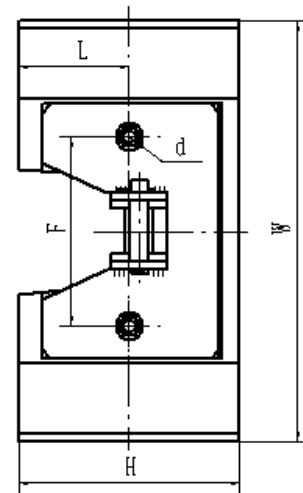
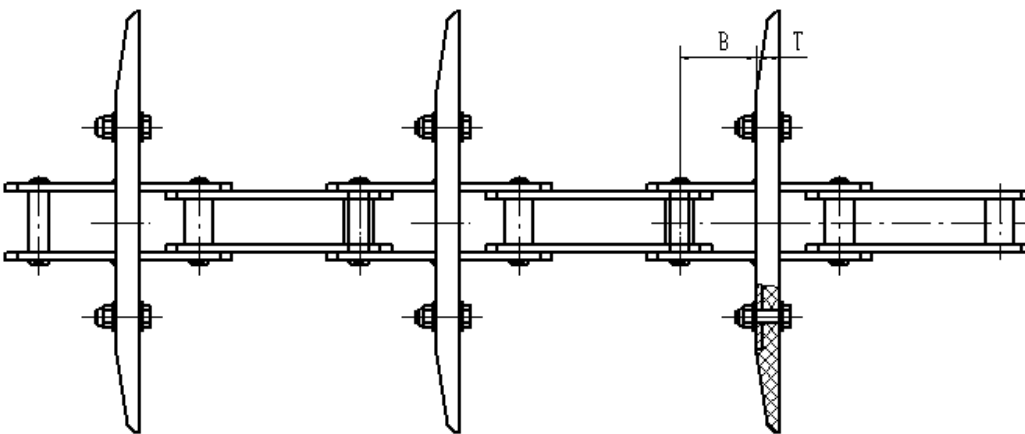


| Chain No. | P mm | b 2(min) mm | D(max) mm | | | | | | | Fu (min) kN | q kg/m |
|-----------|------|-------------|-----------|------|--------|-------------------|-------------------|-------------------|-----|-------------|--------|
| | | | | h mm | t/T mm | d ₁ mm | L ₁ mm | L ₂ mm | | | |
| M112-80 | 80 | 32 | 21 | 40 | 6 | 15 | 31.9 | 35.9 | 112 | 6.81 | |
| M80-100 | 100 | 28 | 18 | 35 | 5 | 12 | 27.5 | 31.5 | 80 | 4.32 | |
| M112-100 | 100 | 32 | 21 | 40 | 6 | 15 | 31.9 | 35.9 | 112 | 6.21 | |
| M80-125 | 125 | 28 | 18 | 35 | 5 | 12 | 27.5 | 31.5 | 80 | 4.03 | |
| M160-125 | 125 | 37 | 25 | 50 | 7 | 18 | 36.45 | 43.35 | 160 | 8.84 | |
| M112-160 | 160 | 32 | 21 | 40 | 6 | 15 | 31.9 | 35.9 | 112 | 5.30 | |
| M160-160 | 160 | 37 | 25 | 50 | 7 | 18 | 36.45 | 43.35 | 160 | 8.11 | |
| M224-160 | 160 | 43 | 30 | 60 | 8 | 21 | 42.45 | 48.55 | 224 | 11.9 | |
| M224--200 | 200 | 43 | 30 | 60 | 8 | 21 | 42.45 | 48.55 | 224 | 11.5 | |

Grain Machine Chains

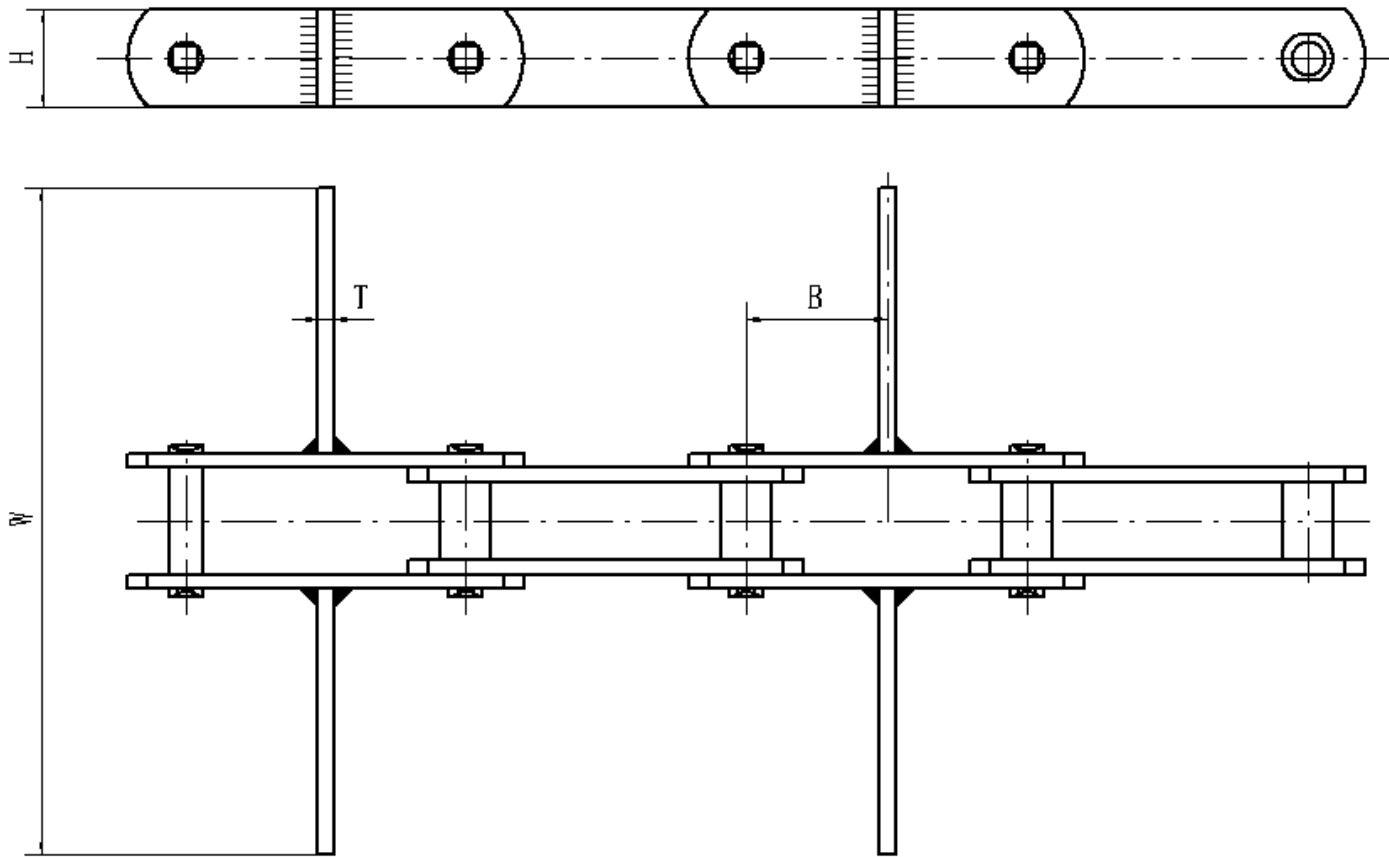


| Chain No. | B | T | L | d | W | F | H | L ₁ |
|--------------|----|---|----|-----|-----|-----|-----|----------------|
| M80-100-KTIA | 48 | 4 | 54 | 8.5 | 156 | 118 | 110 | 49.5 |



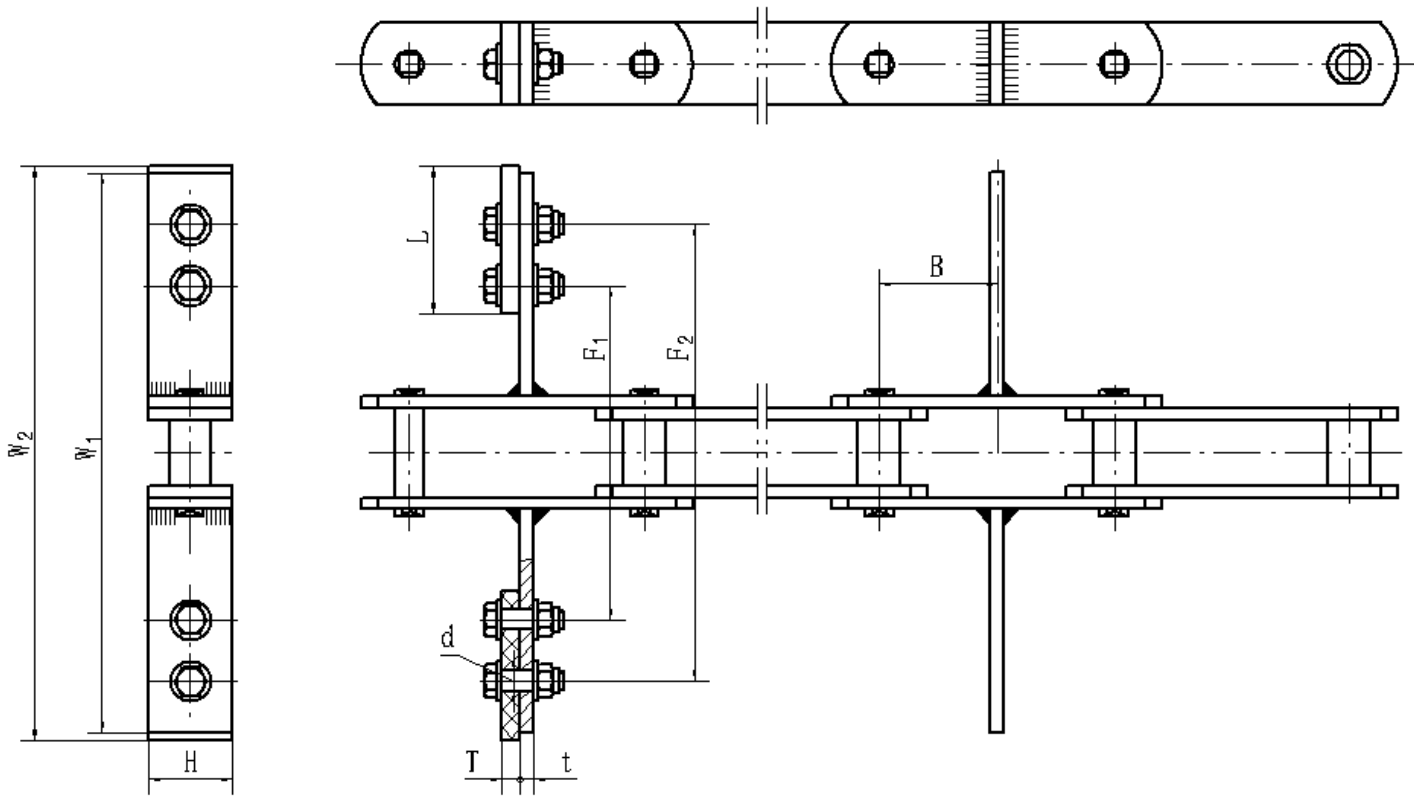
| Chain No. | B | T | L | d | W | F | H |
|----------------|----|----|----|-----|-----|-----|-----|
| M80-100-KTIA20 | 48 | 15 | 69 | 8.5 | 182 | 118 | 138 |
| M80-100-KTIA30 | 48 | 15 | 69 | 8.5 | 282 | 118 | 138 |

Grain Machine Chains



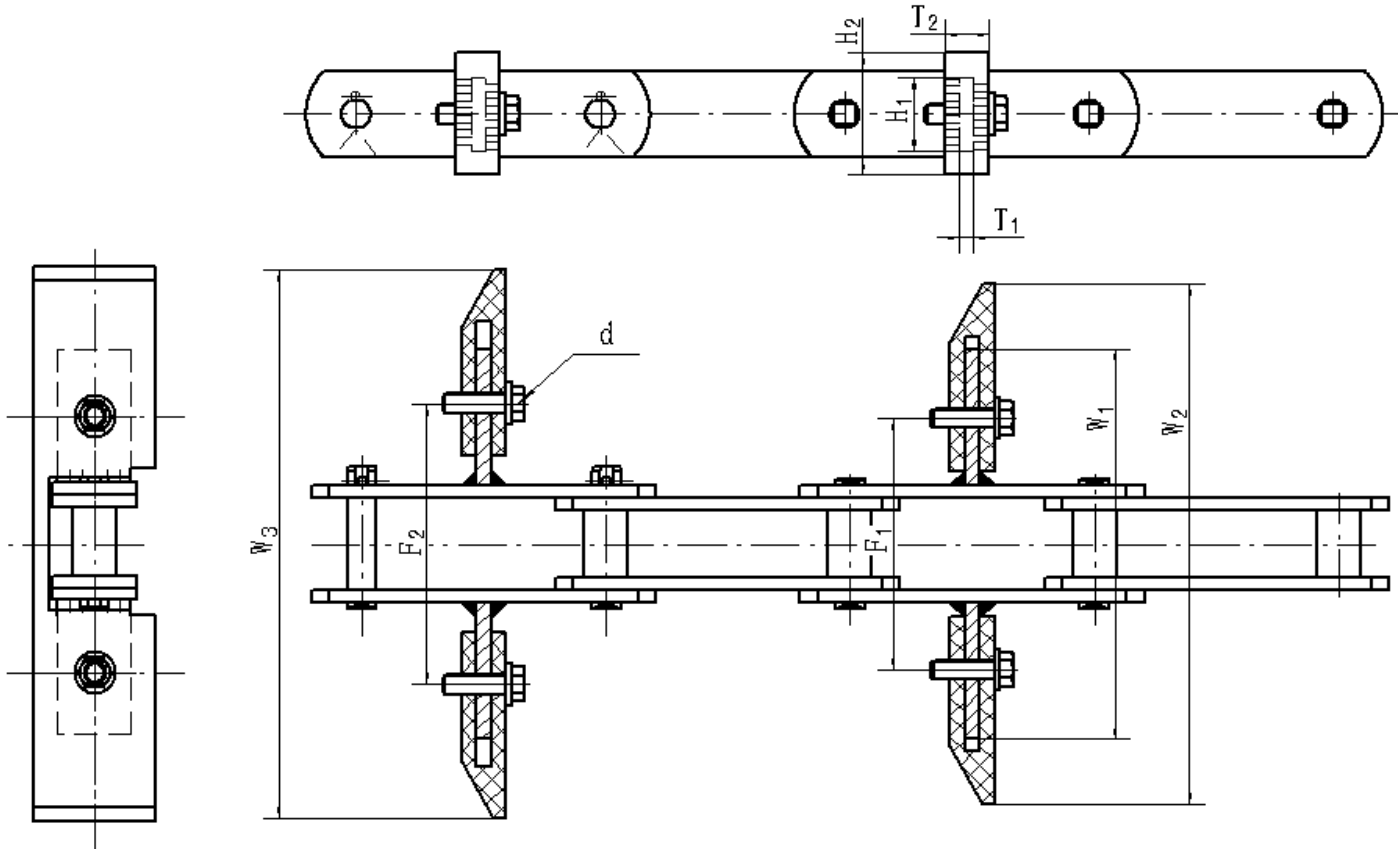
| Chain No. | H | B | T | W |
|---------------|----|----|---|-----|
| M80-100-KTH20 | 35 | 50 | 6 | 190 |
| M80-100-KTH30 | 35 | 50 | 6 | 290 |
| M80-100-KTH40 | 35 | 50 | 6 | 390 |

Grain Machine Chains



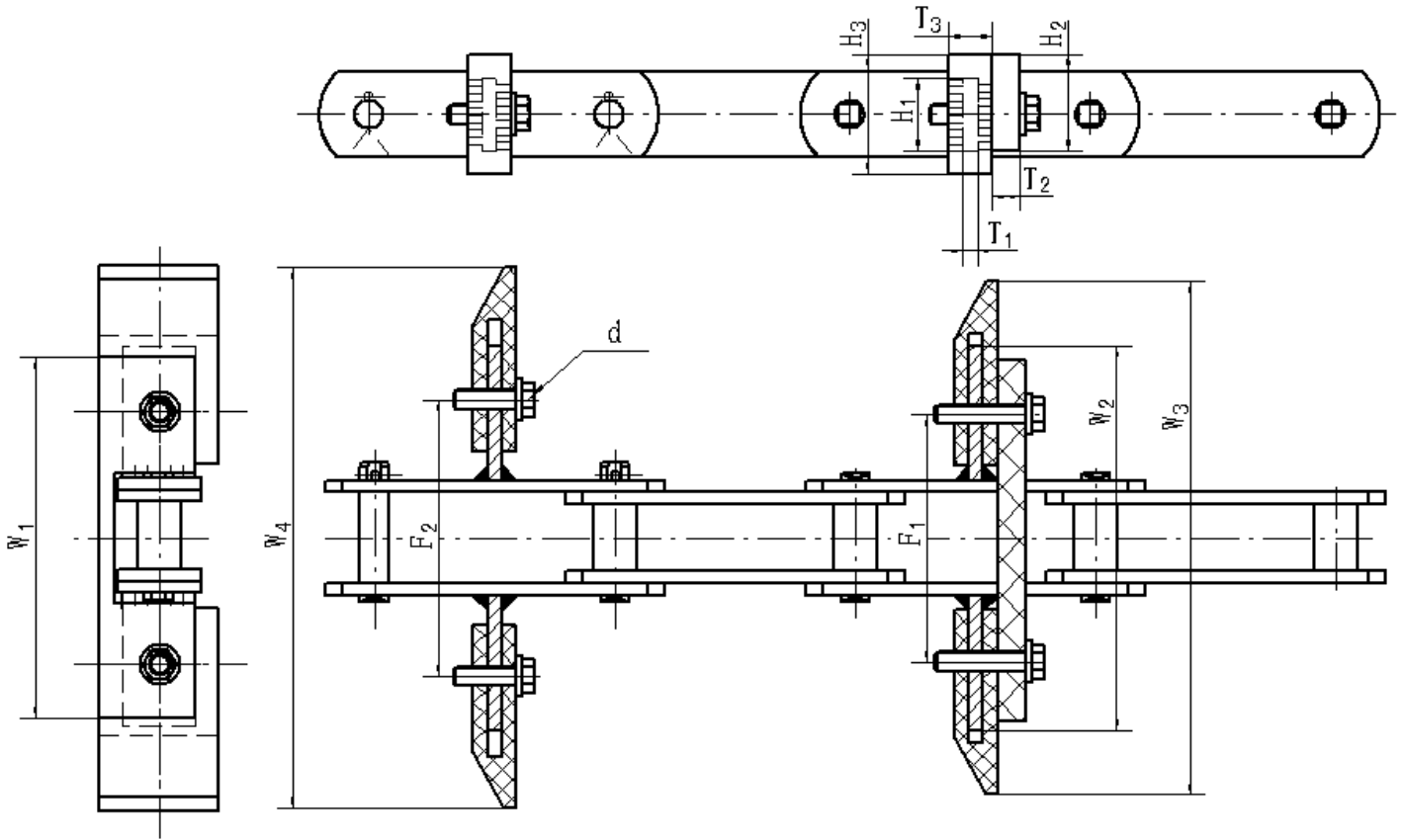
| Chain No. | L | H | B | t/T | W ₁ | W ₂ | F ₁ | F ₂ | d |
|----------------|----|----|----|-----|----------------|----------------|----------------|----------------|-----|
| M80-100-KT120 | 63 | 35 | 50 | 6/8 | 190 | 196 | 94 | 146 | 8.5 |
| M80-100-KT125 | 63 | 35 | 50 | 6/8 | 240 | 246 | 144 | 196 | 8.5 |
| M80-100-KT130 | 63 | 35 | 50 | 6/8 | 290 | 296 | 194 | 246 | 8.5 |
| M112-160-KTH40 | 80 | 40 | 80 | 6/8 | 387 | 397 | 291 | 343 | 8.5 |
| M224-160-KTH40 | 80 | 60 | 80 | 8/8 | 387 | 397 | 291 | 343 | 8.5 |
| M160-125-KTH40 | 80 | 50 | 80 | 8/8 | 385 | 395 | 289 | 341 | 8.5 |
| M160-160-KTH40 | 80 | 50 | 80 | 8/8 | 385 | 395 | 289 | 341 | 8.5 |

Grain Machine Chains



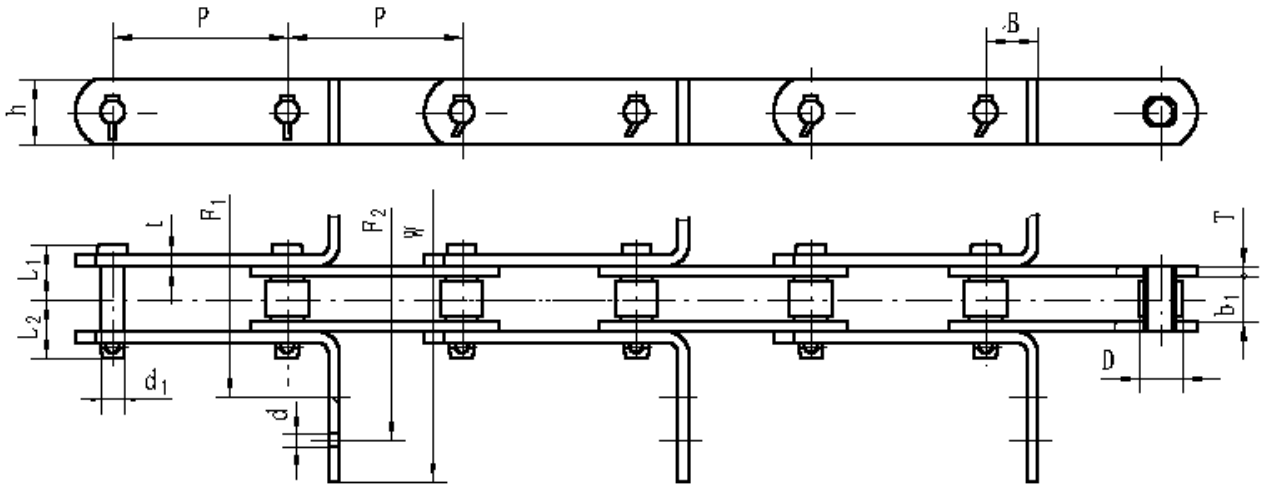
| Chain No. | F_1 | F_2 | W_1 | W_2 | W_3 | d | H_1 | H_2 | T_1 | T_2 |
|-------------------|-------|-------|-------|-------|-------|-----|-------|-------|-------|-------|
| M80-100-KTIF20-1M | 105 | 115 | 160 | 186 | 196 | M8 | 30 | 50 | 6 | 18 |
| M80-100-KTIF30-1M | 105 | 115 | 160 | 286 | 296 | M8 | 30 | 50 | 6 | 18 |

Grain Machine Chains



| Chain No. | F_1 | F_2 | W_1 | W_2 | W_3 | W_4 | d | H_1 | H_2 | H_3 | T_1 | T_2 | T_3 |
|-------------------|-------|-------|-------|-------|-------|-------|-----|-------|-------|-------|-------|-------|-------|
| M80-100-KTIF20-2M | 105 | 115 | 150 | 160 | 186 | 196 | M8 | 30 | 40 | 50 | 6 | 12 | 18 |
| M80-100-KTIF20-4M | 105 | 115 | 150 | 160 | 186 | 196 | M8 | 30 | 40 | 50 | 6 | 12 | 18 |
| M80-100-KTIF30-2M | 105 | 115 | 150 | 160 | 286 | 296 | M8 | 30 | 40 | 50 | 6 | 12 | 18 |
| M80-100-KTIF30-4M | 105 | 115 | 150 | 160 | 286 | 296 | M8 | 30 | 40 | 50 | 6 | 12 | 18 |
| M80-100-KTIF40-2M | 105 | 115 | 150 | 160 | 386 | 396 | M8 | 30 | 40 | 50 | 6 | 12 | 18 |
| M80-100-KTIF40-4M | 105 | 115 | 150 | 160 | 386 | 396 | M8 | 30 | 40 | 50 | 6 | 12 | 18 |

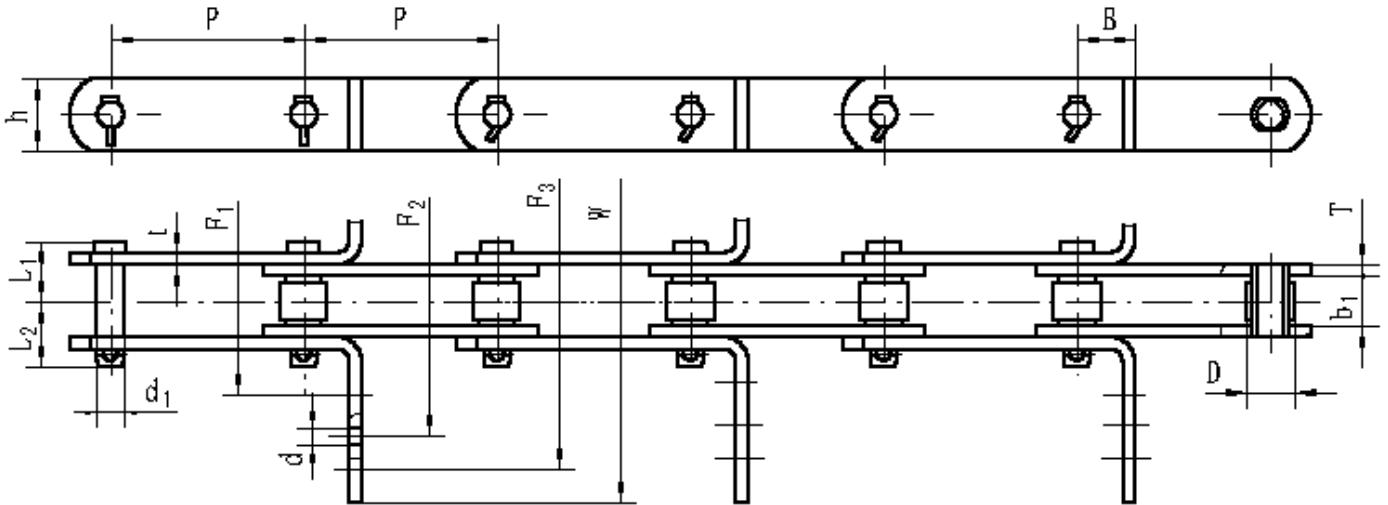
Grain Machine Chains



| Chain No. | F1 mm | F2 mm | W mm | d mm | B mm |
|-----------|----------|----------|---------|---------|---------|
| LS75 | 85 | 135 | 160 | 9 | 34.5 |
| LS75 | 110 | 230 | 280 | 11 | 34.5 |
| LS75 | 130 | 300 | 350 | 11 | 34.5 |
| LS80 | 105 | 195 | 225 | 6.3 | 36 |
| LS100A | 93 | 153 | 183 | 6.3 | 36 |
| LS101.6 | 192 | 336 | 480 | 8 | 50.8 |
| 125 | / | / | 560 | / | 40 |
| 125A | / | / | 550 | / | 40 |
| LS125 | 120 | 240 | 280 | 9 | 40 |
| LS125A | 100 | 180 | 220 | 9 | 40 |
| LS125B | 120 | 240 | 290 | 9 | 40 |
| LS125C | 105 | 195 | 225 | 6.3 | 40 |
| LS125D | 110 | / | 160 | 9 | 25 |
| LS125F | 140 | 240 | 280 | 11 | 40 |

| Chain No. | P mm | b 1(min) mm | D(max) mm | | | | | | Fu(min) kN | q kg/m |
|-----------|---------|----------------|--------------|-----------|----------|----------|---------|-----------|---------------|-----------|
| | | | | d 1 mm | L1 mm | L2 mm | h mm | t/T mm | | |
| LS75 | 75 | 26 | 30 | 14 | 26.5 | 31 | 40 | 5 | 157 | / |
| LS80 | 80 | 27 | 25 | 12.5 | 26.9 | 33.1 | 38 | 5 | 80 | 7.64 |
| LS100A | 100 | 27 | 28 | 14 | 29 | 35 | 40 | 6 | 80 | 8.03 |
| LS101.6 | 101.6 | 30 | 45 | 18 | 36.7 | 42.7 | 48 | 8 | 160 | 12.3 |
| 125 | 125 | 52 | 40 | 20 | 52.1 | 58.9 | 55 | 10 | 310 | 24.75 |
| 125A | 125 | 60 | 54 | 20 | 51.9 | 59.1 | 55 | 8 | 310 | 27.23 |
| LS125 | 125 | 32 | 36 | 20 | 33.7 | 40.7 | 56 | 6 | 300 | 12.21 |
| LS125A | 125 | 32 | 36 | 20 | 33.7 | 40.7 | 56 | 6 | 197 | 11.56 |
| LS125B | 125 | 32 | 36 | 20 | 33.7 | 40.7 | 56 | 6 | 197 | 12.31 |
| LS125C | 125 | 33 | 30 | 17 | 32.4 | 36.4 | 40 | 6 | 160 | 7.92 |
| LS125D | 125 | 28 | 50 | 15 | 27.5 | 31.5 | 35 | 5 | 80 | 7.62 |
| LS125F | 125 | 36 | 36 | 20 | 39.6 | 46.8 | 55 | 8 | 310 | 15.48 |

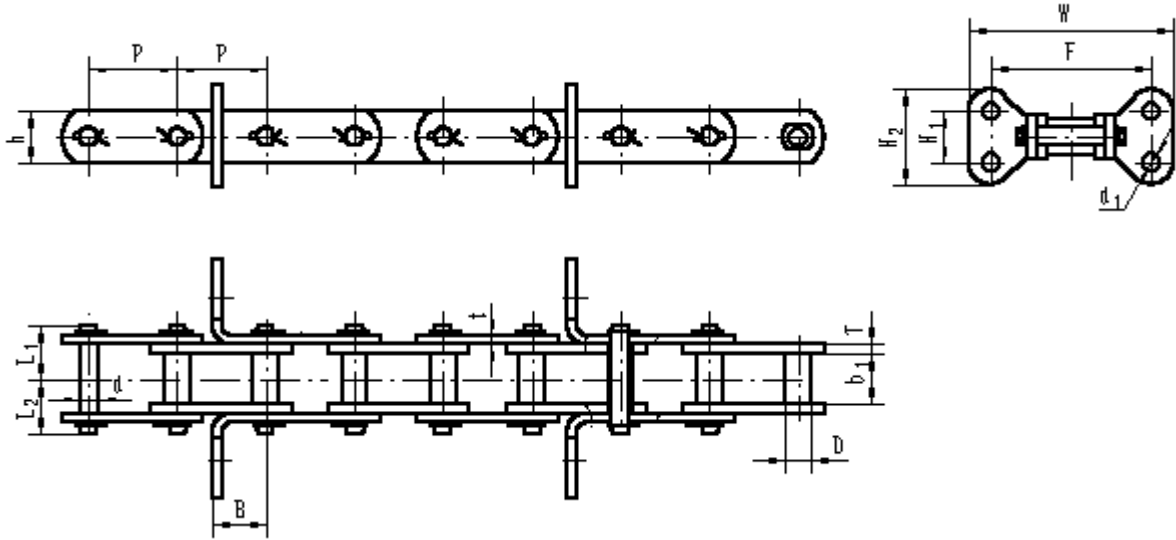
Grain Machine Chains



| Chain No | F1 mm | F2 mm | F3 mm | W mm | d mm | B mm |
|-----------|----------|----------|----------|---------|---------|---------|
| LS160 | / | / | / | 470 | / | 45 |
| LS160A | / | / | / | 580 | / | 45 |
| LS160B | 180 | 300 | / | 360 | 9 | 48 |
| LS160C | 120 | 190 | / | 240 | 13 | 84 |
| LS160C-N1 | 140 | 250 | / | 300 | 13 | 84 |
| LS160C-N2 | 140 | 250 | / | 300 | 13 | 64 |
| LS160D | 176 | 296 | / | 370 | 9 | 48 |
| LS160E | 190 | 370 | / | 470 | 9 | 48 |
| LS160F | 180 | 360 | 540 | 600 | 9 | 48 |
| LS160G | 180 | 300 | / | 470 | 13 | 48 |
| LS160H | 112 | 180 | / | 226 | 8.5 | 84 |

| Chain No. | P mm | b 1(min) mm | D(max) mm | | | | | | Fu(min) kN | q kg/m |
|-----------|---------|----------------|--------------|-----------|----------|----------|---------|-----------|---------------|-----------|
| | | | | d 1 mm | L1 mm | L2 mm | h mm | t/T mm | | |
| LS160 | 160 | 52 | 40 | 20 | 50.8 | 58.2 | 55 | 10 | 378 | 20.2 |
| LS160A | 160 | 52 | 40 | 20 | 50.8 | 58.2 | 55 | 10 | 378 | 21.69 |
| LS160B | 160 | 45 | 39.3 | 22 | 45.7 | 51.3 | 60 | 8 | 470 | 16.87 |
| LS160C | 160 | 36.8 | 36 | 18 | 40.1 | 46.1 | 48 | 8 | 160 | 11.05 |
| LS160C-N1 | 160 | 36.8 | 36 | 18 | 40.1 | 46.1 | 48 | 8 | 160 | 11.65 |
| LS160C-N2 | 160 | 36.8 | 36 | 18 | 40.1 | 46.1 | 48 | 8 | 160 | 11.28 |
| LS160D | 160 | 45 | 39.3 | 22 | 41.7 | 47.3 | 60 | 6 | 352 | 13.43 |
| LS160E | 160 | 45 | 39.3 | 22 | 41.7 | 47.3 | 60 | 6 | 352 | 14.3 |
| LS160F | 160 | 45 | 39.3 | 22 | 45.7 | 51.3 | 60 | 8 | 470 | 19.68 |
| LS160G | 160 | 42 | 42 | 22 | 47.2 | 52.8 | 60 | 10/9 | 480 | 21.4 |
| LS160H | 160 | 33.8 | 35 | 18 | 38.5 | 44.5 | 48 | 8 | 160 | 11.95 |

Grain Machine Chains



| Chain No | F mm | W mm | H1 mm | H2 mm | d1 mm | B mm |
|-----------|---------|---------|----------|----------|----------|---------|
| P66.5 | 102 | 130 | 32 | 60 | 10.1 | 31.8 |
| P66.68-F4 | 101.5 | 127 | 32 | 60 | 10 | 32 |

| Chain No. | P mm | b 1(min) mm | D(max) mm | | | | | | Q(min) kN | q kg/m |
|-----------|---------|----------------|--------------|---------|-----------|----------|---------|-----------|--------------|-----------|
| | | | | d mm | L 1 mm | L2 mm | h mm | t/T mm | | |
| P66.5 | 66.5 | 26.99 | 22 | 15.88 | 37.6 | 42.4 | 38.1 | 8/9.5 | 266.7 | 10.7 |
| P66.68-F4 | 66.68 | 27 | 22.3 | 12.6 | 33.5 | 33.5 | 30 | 6 | 85 | 6.07 |

Q_{min} KN = Ultimate tensile strength