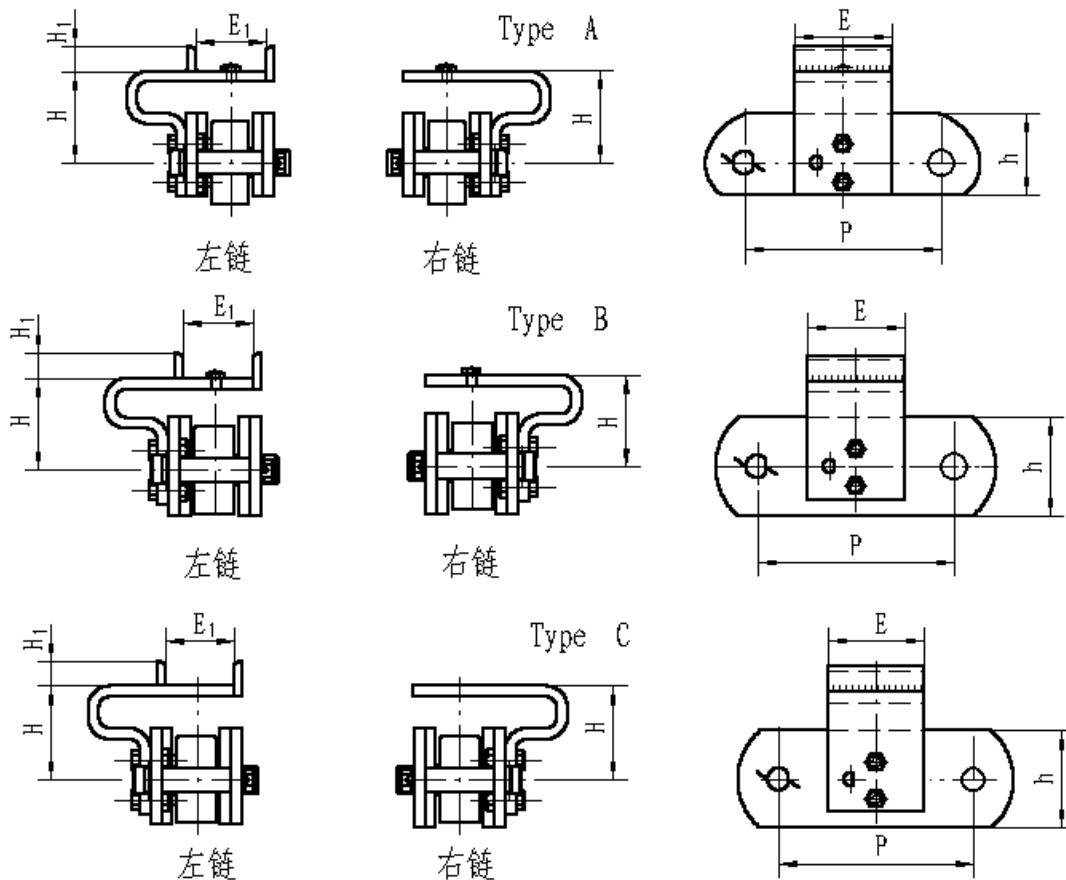


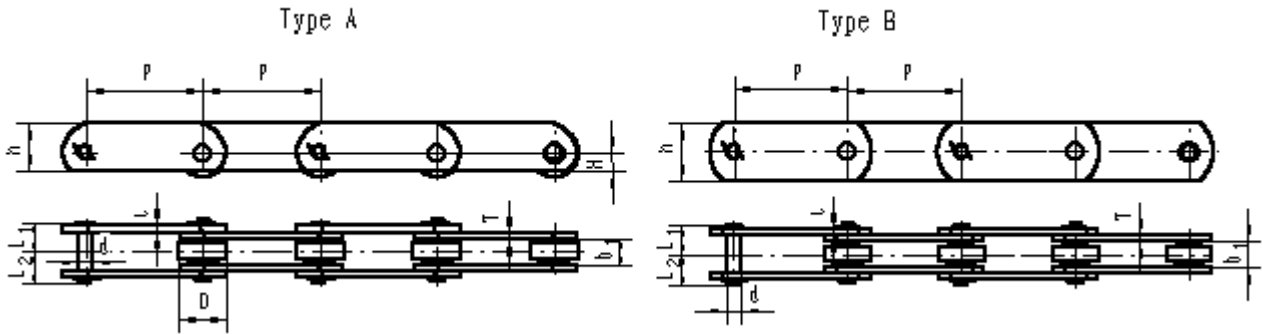
Automobile Spray Painting Line Conveyor Chains



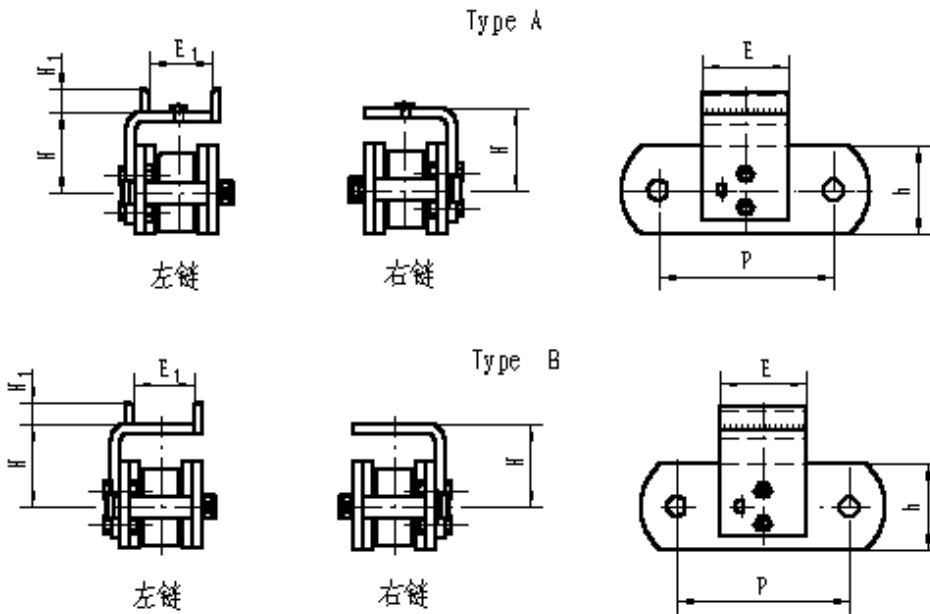
Chain No.	P mm	E mm	E_1 mm	h mm	H mm	H_1 mm	Type
P152.4-A (左)	152.4	76	65	63.5	77.1	20	A
P152.4-A (右)	152.4	76	/	63.5	77.1	/	A
P152.4A-N ₁ (左)	152.4	76	55	63.5	77.1	20	A
P152.4A-N ₁ 潰 ₁ 櫛 (右)	152.4	76	/	63.5	77.1	/	A
P152.4-B (左)	152.4	76	65	63.5	77.1	20	A
P152.4-B (右)	152.4	76	/	63.5	77.1	/	A
P152.4B-N ₁ 潰 ₁ 櫛(左)	152.4	76	55	76.2	76.7	20	B
P152.4B-N ₁ 潰 ₁ 櫛 (右)	152.4	76	/	76.2	76.7	/	B
P152.4B-N ₂ (左)	152.4	76	55	76.2	76.7	20	C
P152.4B-N ₂ (右)	152.4	76	/	76.2	76.7	/	C
P100-C (左)	100	70	55	72	72	20	B
P100-C (右)	100	70	/	72	72	/	B

Q_{\min} KN = Ultimate tensile strength

Automobile Spray Painting Line Conveyor Chains



Chain No.	P mm	b ₁ (min) mm	D(max) mm	d	L ₁	L ₂	h	H	t/T	Q(min) kN	q kg/m	Type
				mm	mm	mm	mm	mm	mm			
P152.4	152.4	35	63.5	17.6	39.4	44.1	63.5	25	8	300	15.7	A
P152.4-N1	152.4	35	63.5	17.6	39.4	44.1	76.2	/	8	300	18.29	B
P100	100	35	60	17.6	39.4	44.1	72	/	8	350	21.14	B



Chain No.	P mm	E mm	E ₁ mm	h mm	H mm	H ₁ mm	Type
P100-A (左)	100	70	55	72	78	20	A
P100-A (右)	100	70	/	72	78	/	A
P100-B (左)	100	70	55	72	78	20	B
P100-B (右)	100	70	/	72	78	/	B

Q_{min} KN = Ultimate tensile strength