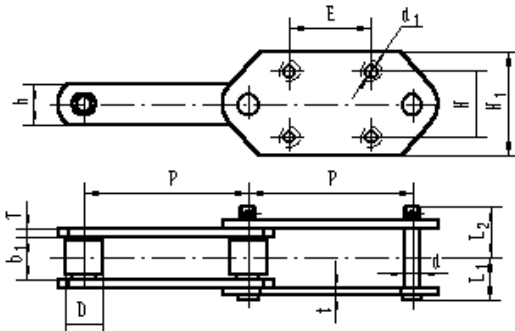
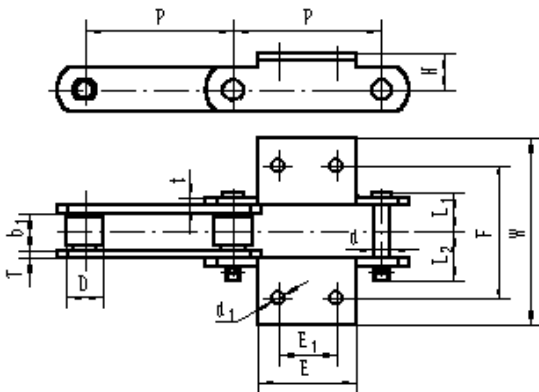


Mining Metallurgy Chains



Chain No.	E mm	H mm	H 1 mm	d 1 mm
DT-45	100	80	125	14
DT100A	100	80	125	14

Chain No.	P mm	b ₁ (min) mm	D(max) mm	d	L ₁	L ₂	h	t/T	Q(min) kN	q kg/m
				mm	mm	mm	mm	mm		
DT-45	200	52	44.5	19	52.8	59.2	50	10	315	16.27
DT100A	200	56	44.5	19	50.8	61.7	50	8	315	14.36

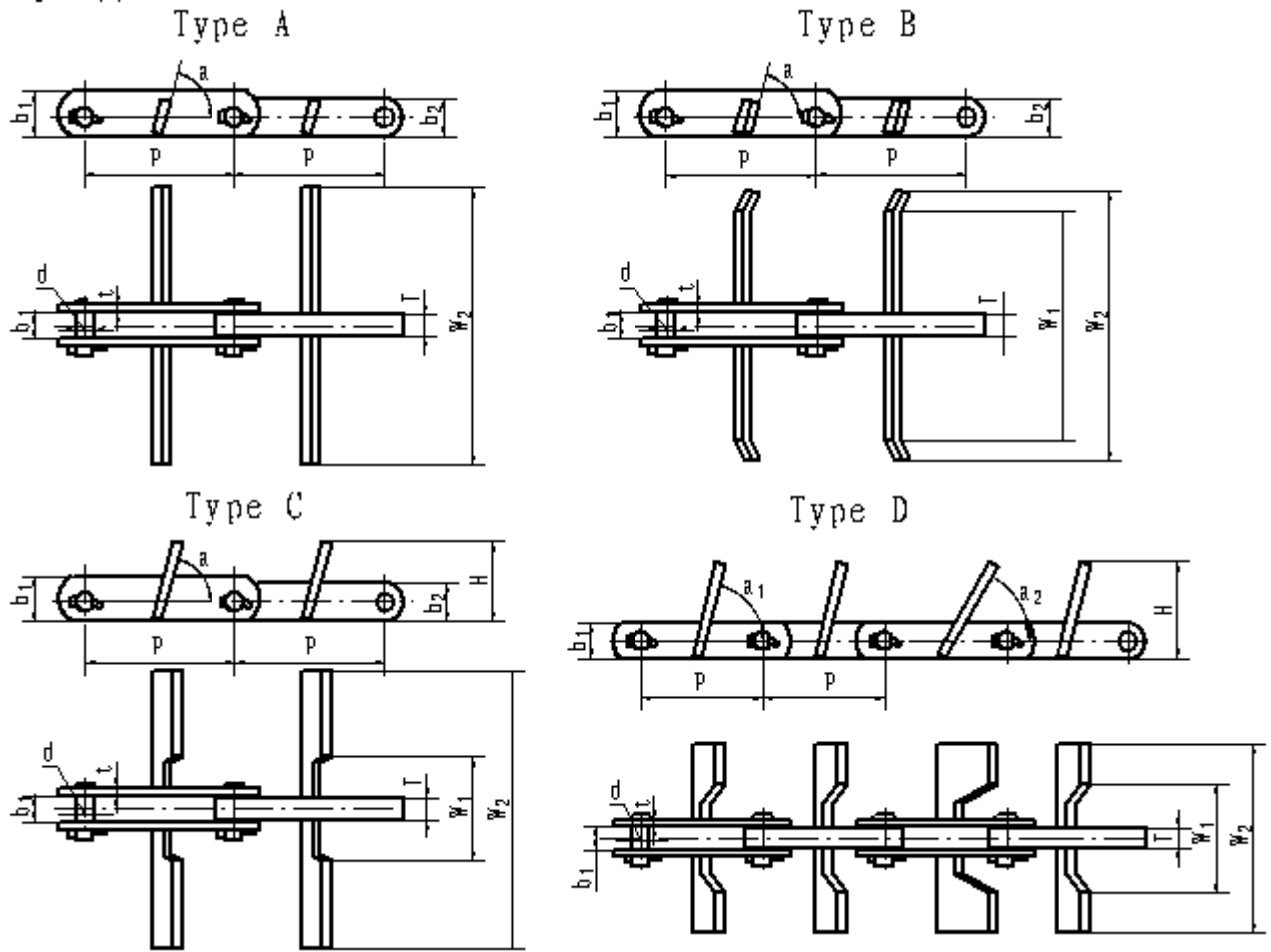


Chain No.	F mm	W mm	E 1 mm	E mm	d 1 mm	H mm
DT-25	110	140	30	60	9	24.5
DT-25A	120	145	30	60	11	22
DT-30A	120	179.6	60	100	13	37.5
DT-30D	120	176.6	60	100	15	37.5
DT-30E	120	161	60	100	9	37.5
DT-125	126	170	50	80	14	37.5

Chain No.	P mm	b ₁ (min) mm	D(max) mm	d	L ₁	L ₂	h	t/T	Q(min) kN	q kg/m
				mm	mm	mm	mm	mm		
DT-25	100	37	25.4	12.7	29.5	34.1	32	4	135	4.67
DT-25A	100	37	25.4	12.7	29.5	34.1	32	4	88	4.49
DT-30A	152.4	40	38	16	41.8	47.8	45	8	224	12.3
DT-30D	152.4	37	38	16	40.3	46.3	45	8	224	12.15
DT-30E	152.4	37	38	16	32.2	37.8	45	4	137	7.94
DT-125	125	36.8	36	18	40	46	50	8	200	13.72

Q_{min} KN = Ultimate tensile strength

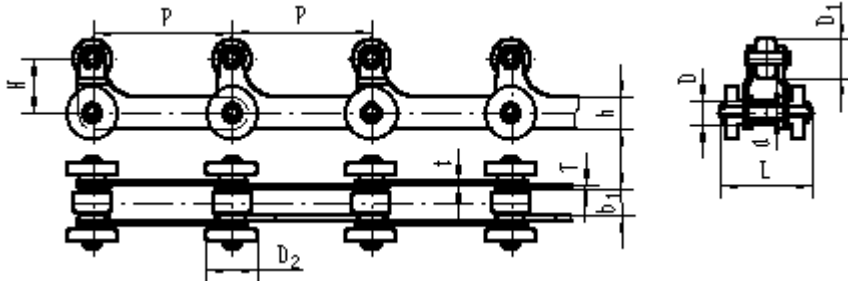
Scraper Chain



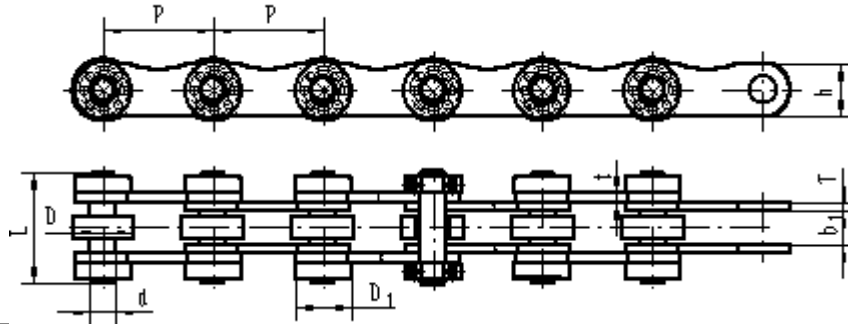
Chain No.	P mm	b_1 (min) mm	d mm									Q _{min} kN	q kg/m	Type
				h_1 mm	h_2 mm	t/T mm	W_1 mm	W_2 mm	H mm	a°	a_2			
HS150	150	26.4	18.5	44.5	38.1	8/22	-	280	-	90	-	315	11.9	A
HS150A	150	23.5	18.5	44.5	38.1	8/22	165	185	-	70	-	235.3	10.21	B
HS150B	150	23.5	18.5	44.5	38.1	8/22	165	185	-	90	-	235.3	9.554	A
SBS3101	101.6	23.5	18.5	44.5	38.1	8/22	60	135	80	90	-	235.3	12.14	C
HS150C	150	23.5	18.5	44.5	38.1	8/22	165	185	-	90	-	265	9.554	B
HS150E	150	23.5	18.5	44.5	38.1	8/22	265	285	-	90	-	235.3	10.55	B
HS150G	150	24	18.5	44.5	38.1	8/22	165	185	-	70	-	262.5	9.753	B
HS150H	150	24	18.5	44.5	38.1	8/22	-	220	-	70	-	262.5	12.53	A
SBS3152-236	152.4	30	22.12	44.5	-	8/25	136	236	120	75	60	262.5	21.66	D

Q_{min} KN = Ultimate tensile strength

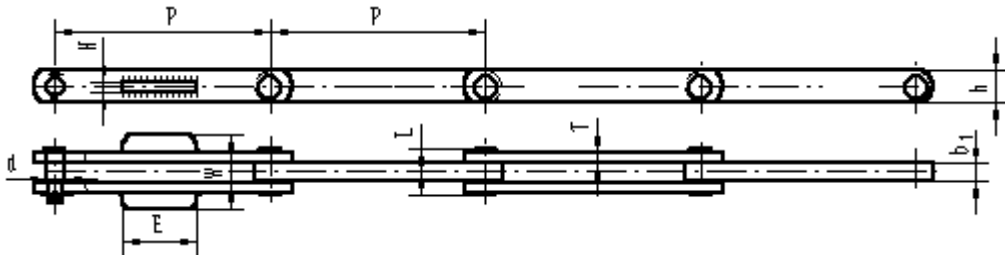
Mining Metallurgy Chains



Chain No.	P mm	b ₁ (min) mm									Q(min) kN	q kg/m
			D mm	D 1 mm	D2 mm	d mm	L mm	t/T mm	h mm	H mm		
P220A	220	37	36	60	80	18	141	7	50	85	176	20.71



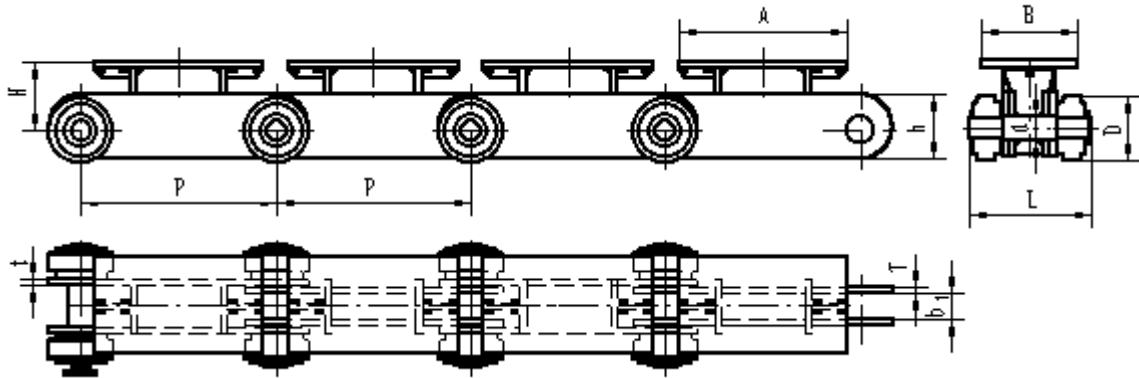
Chain No.	P mm	b ₁ (min) mm							Q(min) kN	q kg/m
			D mm	D 1 mm	d mm	L mm	t/T mm	h mm		
SC101.6-N1	101.6	31.75	57.28	52	24	99	6.8	47.8	253	14.37



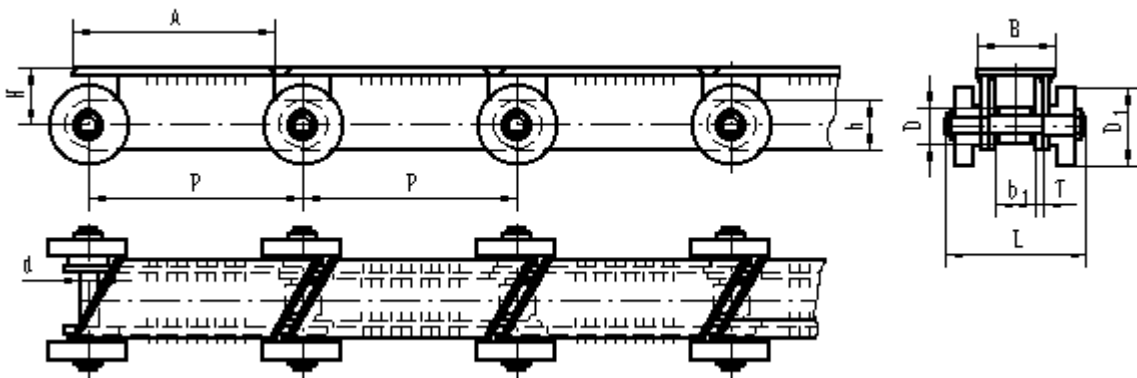
Chain No.	P mm	b ₁ mm								Q(min) kN	q kg/
			d mm	L mm	T mm	h mm	E mm	W mm	H mm		
SC350	350	30	27	74.6	16	54	120	120	16	620	

Q_{min} KN = Ultimate tensile strength

Mining Metallurgy Chains



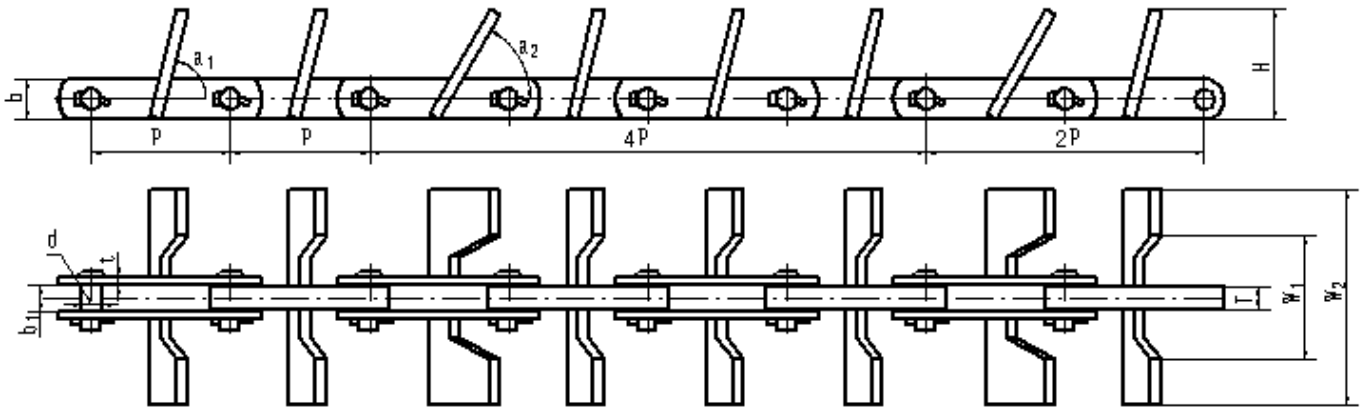
Chain No.	P mm	b ₁ (min) mm										Q(min) kN	q kg/m
			D mm	d mm	L mm	t/T mm	h mm	A mm	B mm	H mm			
P304	304	40	100	40	190	10	100	264	150	105	400	52.9	



Chain No.	P mm	b ₁ (min) mm										Q(min) kN	q kg/m
			D mm	D ₁ mm	d mm	L mm	t/T mm	h mm	A mm	B mm	H mm		
P220B	220	37	36	80	18	141	7	52	208.5	80	58	176	22.1

Q_{min} KN = Ultimate tensile strength

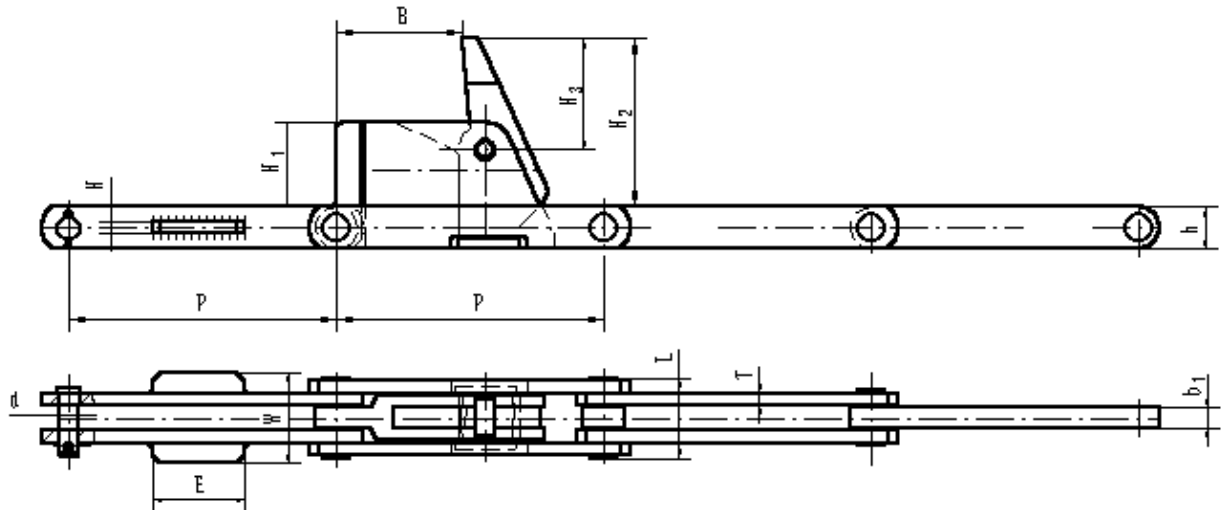
Scraper Chain



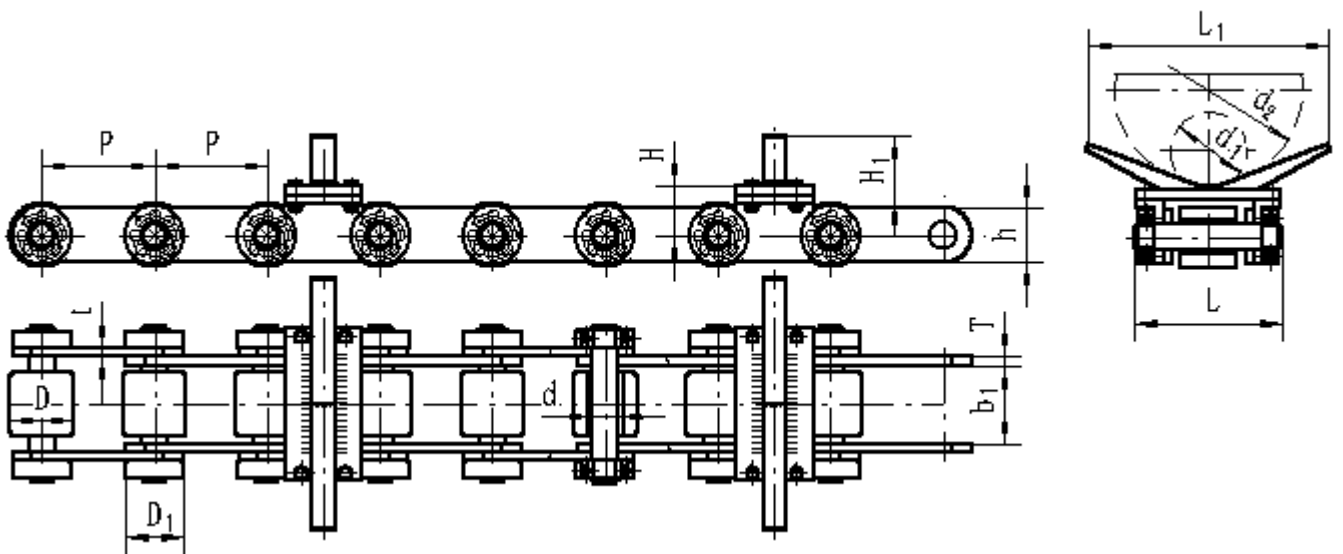
Chain No.	P mm	b_1 (min) mm	d. mm								Q(min) kN	q kg/m
				h mm	t/T mm	W_1 mm	W_2 mm	H mm	α_1°	α_2°		
SBS3152-236	152.4	30	22.12	44.5	8/25	136	236	120	75	60	262.5	21.66

Q_{min} KN = Ultimate tensile strength

Mining Metallurgy Chains



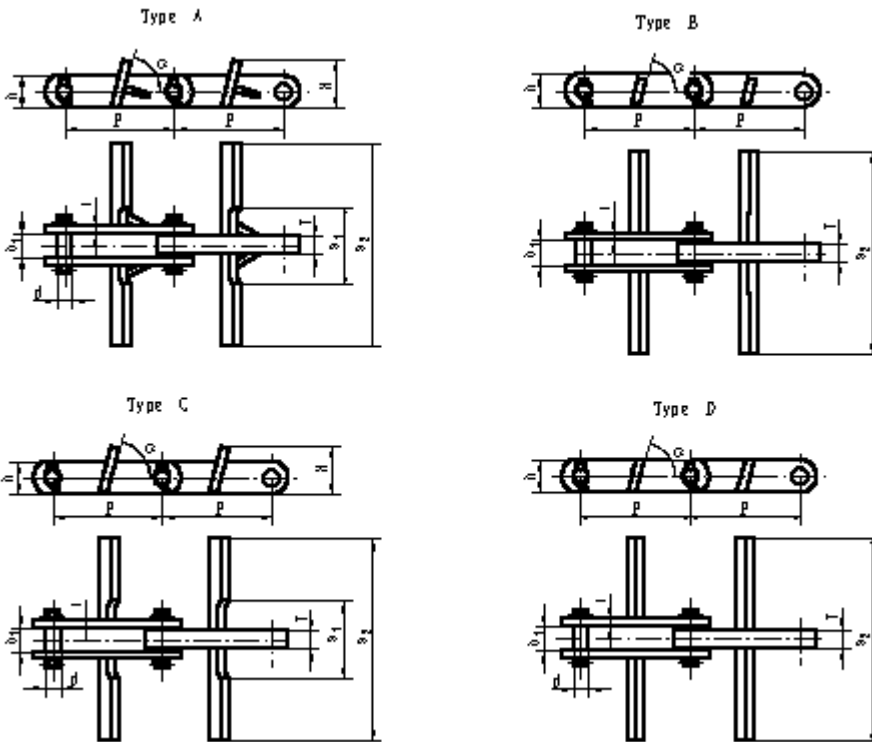
Chain No.	P mm	b 1 mm												Q(min) kN
			d mm	L mm	T mm	h mm	E mm	W mm	H mm	H1 mm	H2 mm	H 3 mm	B mm	
SC350-CA	350	30	27	74.6	16	54	120	120	16	110	220	145	165	620



Chain No.	P mm	b 1(min) mm												Q(min) kN
			D mm	D 1 mm	d mm	L mm	t/T mm	h mm	H mm	H1 mm	d 1 mm	d 2 mm	L1 mm	
SC101.6-V	101.6	70	57.15	52	24	142	8	47.8	44	89	73	177.8	228	290

Q_{min} KN = Ultimate tensile strength

Scraper Chains



Chain No.	P mm	b ₁ (min) mm	d mm	h	t/T	W ₁	W ₂	H	α°	Q(min) kN	q kg/m	Type
				mm	mm	mm	mm	mm	mm			
GS31F	152.4	32.5	22	45	10 / 25.4	106	280	65.5	75	224.0	20.02	A
GS31FA	152.4	32.5	22	45	10 / 25.4	112	420	80	75	224.0	27.94	A
GS31FB	152.4	32.5	22	45	10 / 25.4	115	320	102	75	224.0	26.71	A
GS43F	152.4	34	22	45	12 / 28	115	400	80.5	90	224.0	32.04	A
HS200	152.4	32.5	22	45	10 / 25.4	/	160	/	75	224.0	13.05	B
HS250	152.4	32.5	22	45	10 / 25.4	106	210	65.5	75	224.0	14.85	C
HS250A	152.4	32.5	22	45	10 / 25.4	/	210	/	75	224.0	14.26	D
HS310	152.4	32.5	22	45	10 / 25.4	106	270	63	75	224.0	16.34	C
HS310A	152.4	32.5	22	45	10 / 25.4	/	270	/	75	224.0	15.42	D
HS310B	152.4	32.5	22	45	10 / 25.4	/	270	/	75	224.0	15.05	D
SBS4152	152.4	40.8	25.2	50.8	9.5 / 32	/	290	/	90	350.0	21.18	B
HS450	200	41	35	80	14 / 35	150	400	118.4	75	600.0	43.8	C
HS450A	200	41	35	80	14 / 35	/	400	/	75	600.0	40.12	D

Q_{min} KN = Ultimate tensile strength