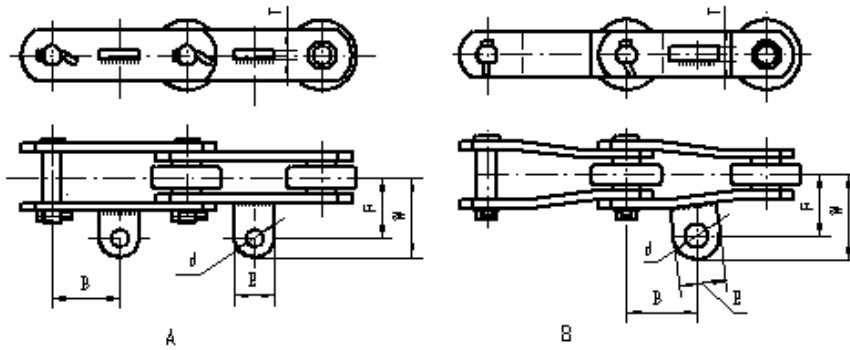


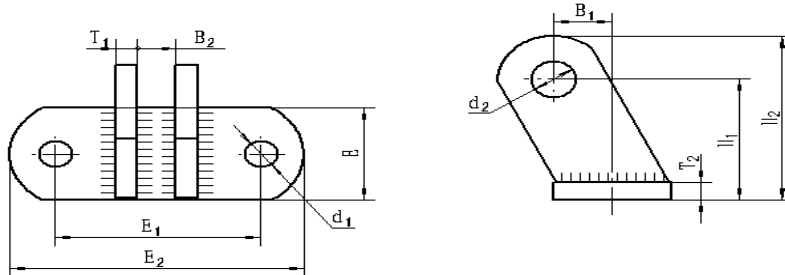
Sugar Chain Attachments

Type A₄₂



Chain No.	B mm	F mm	W mm	E mm	d mm	T mm	Type
09060	76.2	67	87.4	45	21	15	A
09063	76.2	74.6	99.6	50	20.64	15	B
1796	76.2	67	87.4	45	21	15	A
W1796	76.2	66.9	89.5	45	21	15	B
D2184-	76.2	66.7	92.1/88.7	50.8/44	21	15	B
D2184B	76.2	66.7	88.7	44	21	15	B
8184	101.6	81.8	107.2	50.8	19.8	15	B
C09061	76.2	67	87.4	45	21	15	A

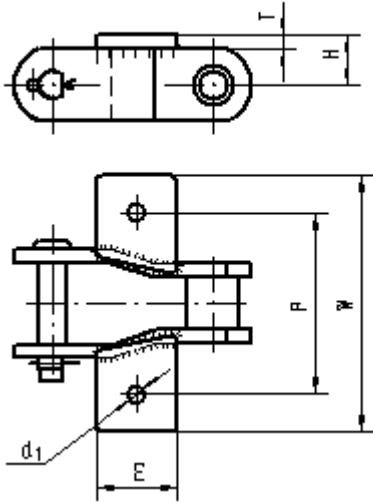
Type C₂₂



Type	E mm	E1 mm	E2 mm	B1 mm	B2 mm	T1 mm	T2 mm	H1 mm	H2 mm	d1 mm	d2 mm
1C22	50.8	82.6	114.3	22.17	16.7	9.5	9.5	35	55.5	14.3	21
2C22	50.8	88.9	127	25.4	16.8	9.5	9.5	66.8	90.6	13/14.2	20.8
3C22	50.8	88.9	127	25.4	17.8	9.5	9.5	66.8	90.6	14.2	16.8
4C22	50.8	88.9	127	25.4	16.8	9.5	9.5	66.8	90.6	14.2	19.8

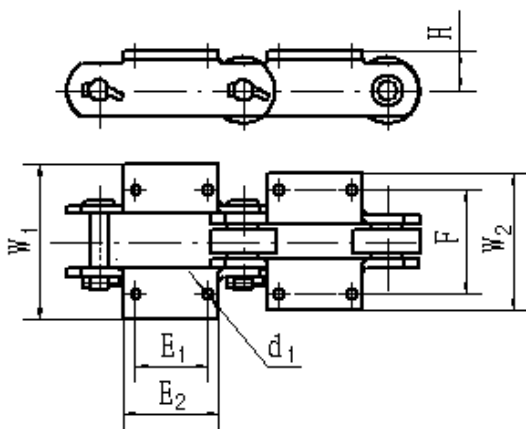
Sugar Chains-Attachments

Type K₁

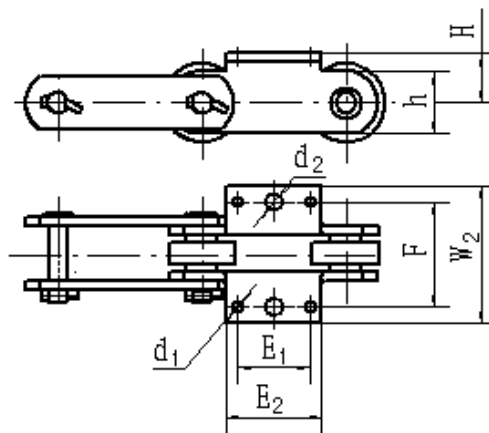


Chain No.	F mm	W mm	E mm	d 1 mm	T mm	H mm
SS100D1	112.78	159	50	11.2	9.5	31.75

Type K₂

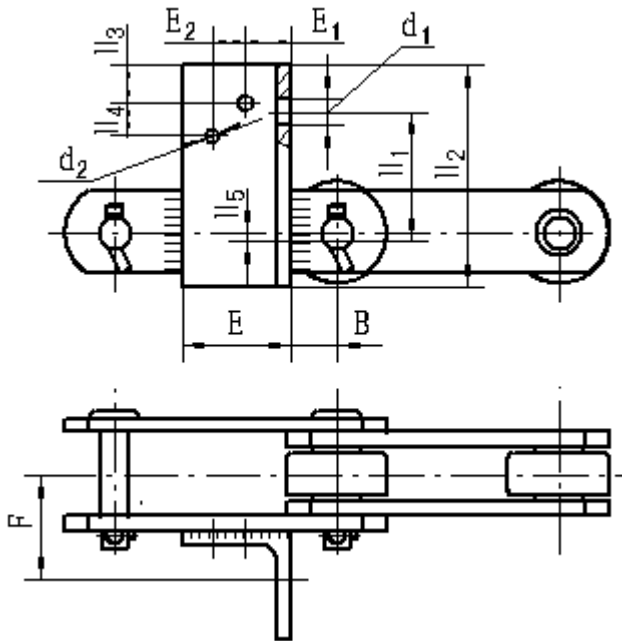


Type K₃



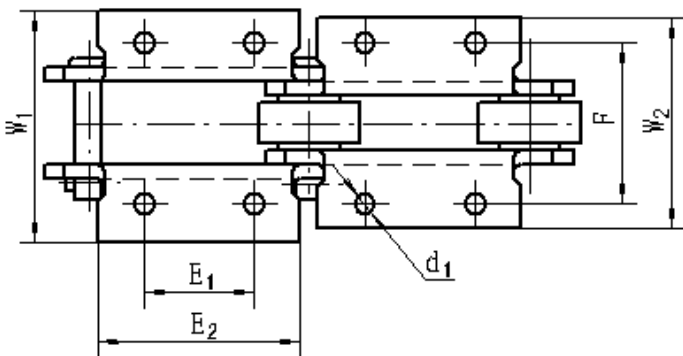
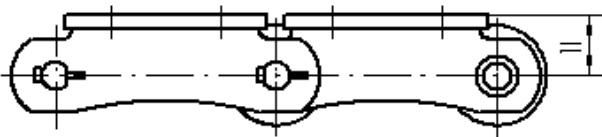
Chain No.	H mm	h mm	E 1 mm	E 2 mm	d 1 mm	d 2 mm	F mm	W 1 mm	W 2 mm
US101.6	36	44.4	50.8	82.6	10.3	15	101.6	/	133.6
US127	39.6	50.8	50.8	82.6	10.3	13.5	103.4	/	139.4
09060	41.3	/	76.2	114.3	13	/	111.1	171.5	151.1
09061	41.3	/	76.2	114.3	13	/	111.1	165.1	144.7
C09063	44.5	/	76.2	114.3	14.3/12.7	/	111.1	165.1	143.1
1796	41.3	/	76.2	114.3	11.1/13/14	/	111.1	165.1	144.7

Sugar Chains-Attachments



Type F

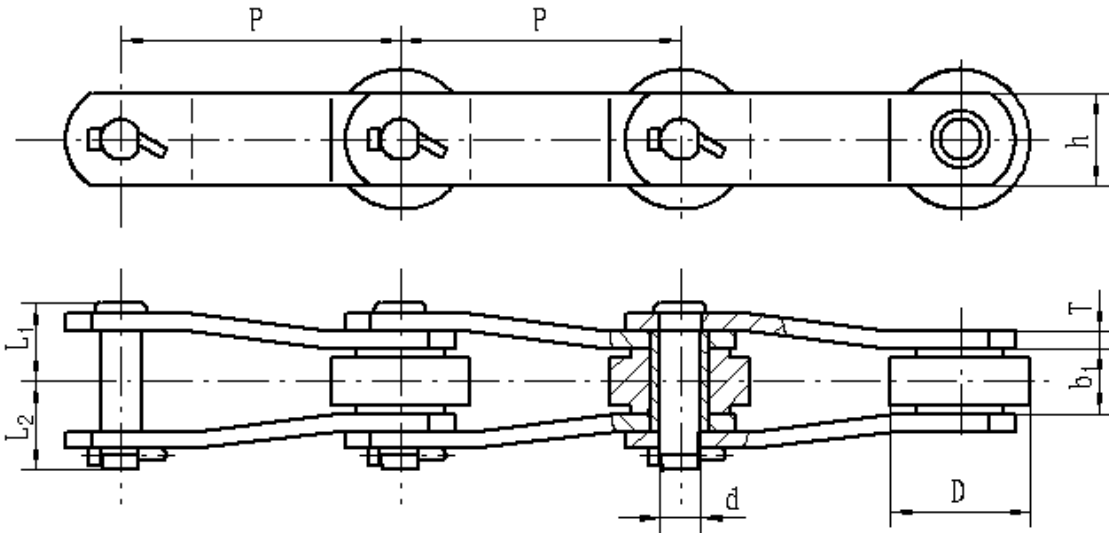
Type	B mm	F mm	H ₁ mm	H ₂ mm	H ₃ mm	H ₄ mm	H ₅ mm	E mm	E ₁ mm	E ₂ mm	d ₁ mm	d ₂ mm
C09063	31.4	73.5	88.9	152.4	25.4	22.5	6.35	75	31.8	22.5	17.5	13.1



Type K2

Type	H mm	E ₁ mm	E ₂ mm	d ₁ mm	F mm	W 溝、榫 mm	W ₂ mm
SS996	41.4	76.2	139.7	14.2	111.1	169.1	149.2

Sugar Chains with Cranked Link Plate



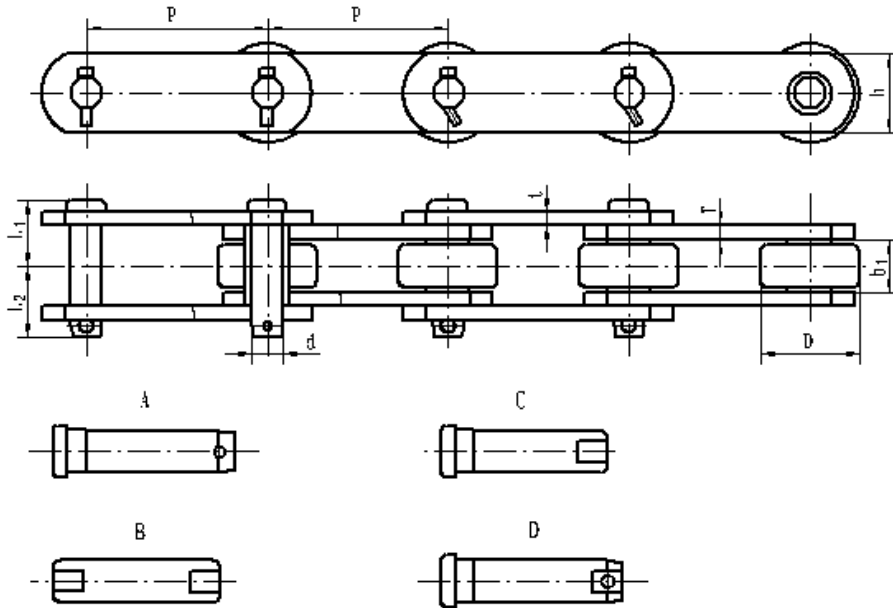
Chain No.	P mm	b 1 (min) mm	D(max) mm				h mm	T mm	Q(min) kN	Rated working load kN	q kg/m
				d mm	L 1 mm	L2 mm					
*# SS100D	100	33.27	33.27	17.27	38.4	48.6	44.5	8	200	17.8	10.47
D2184	152.4	34.9	76.2	22.23	43.9	51.2	50.8	9.5	355.6	31.6	17.7
W1796	152.4	37.8	69.85	22.23	44.2	52.9	57.2	9.5	444.5	31.6	18.59
09063	152.4	38	76.2	23.83	47.1	54.9	60.3	10.3	622.3	36.1	21.83
8184	203.2	45.9	88.9	25.4	59.7	65.8	69.9	12.7	742.4	47.6	29.2
C2614	304.8	69.85	63.5	31.75	78.5	84.5	88.9	15.9	1000	84.5	33.68

Q_{min} KN = Ultimate tensile strength

*Chains: there are two kinds of materials for pin and bushing, which are carbon steel and stainless steel.

#Chain: bushed chain with no roller.

Sugar Chains With Straight Plate



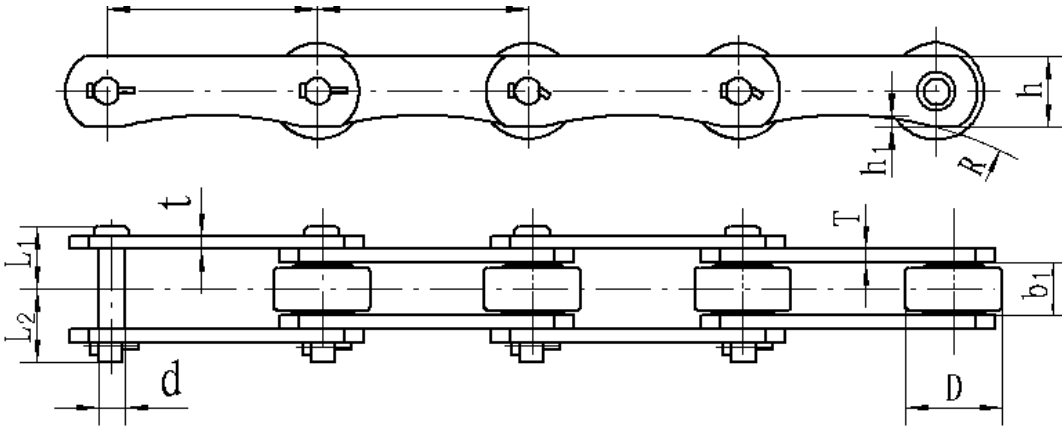
Chain No.	P mm	b 1(min) mm	D(max) mm			d mm	L 1 mm	L2 mm	Type	h mm	t/T mm	Q(min) kN	Allowable chain pull kN	q kg/m		
P77.5	77.5	36.7	31.7			16	39.5	47.5	D	38	8	188	18.3	10.3		
SS39	78.1	37.8	31.75			15.88	41.8	46.3	D	38.1	8	213	20.7	10.4		
# P80	80	35	23			16	38.9	44.6	D	40	8	240	29	9.34		
0904	101.6	29.3	50.8			17.46	31.1	47.4	A	44.5	8	178.4	21.6	13.16		
US101.6	101.6	31.8	57.15			15.88	34.4	38.4	B/C	38.1	6.4	72.3	8.2	11.67		
US127	127	38.4	69.85			19	45.1	51.4	B/C	50.8	9.6	180	20.3	19.22		
09060	152.4	37.7	69.85			18.9	45	49.3	A/D	50.8	9.5	250	28.2	17.2		
C09063	152.4	38	76.2			23.83	47.1	54.9	A	60.3	10.3	622.3	36.1	21.88		
C09063S	152.4	38	76.2			23.83	47.1	54.9	D	61.9	10.3	635	36.9	22.2		
1796	152.4	37.8	69.85	76.2	73	22.23	43.9	53.2	D	57.2	9.5	444.5	33.3	18.5	19.5	19.2
C09061	152.4	37.7	69.85			18.9	44.9	50.3	A	57.2	9.5	377.9	28.2	18.74		

Q_{min} KN = Ultimate tensile strength

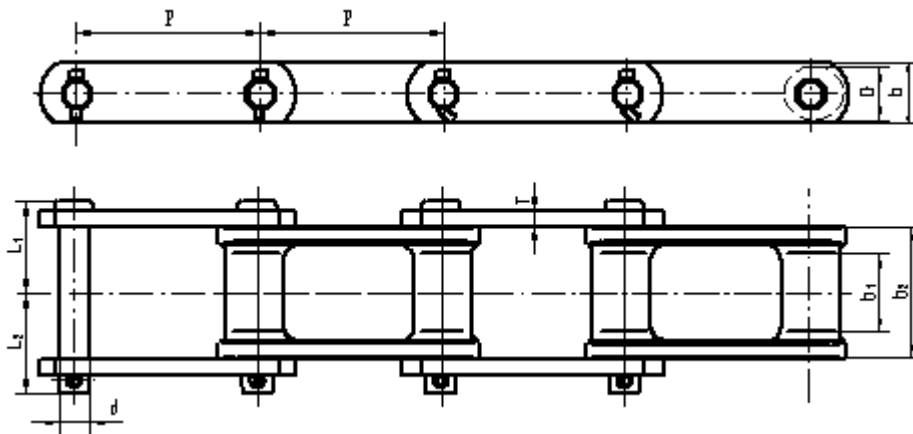
*Chains: there are two kinds of materials for pin and bushing, which are carbon steel and stainless steel.

#Chain: bushed chain with no roller.

Sugar Chains with the other types



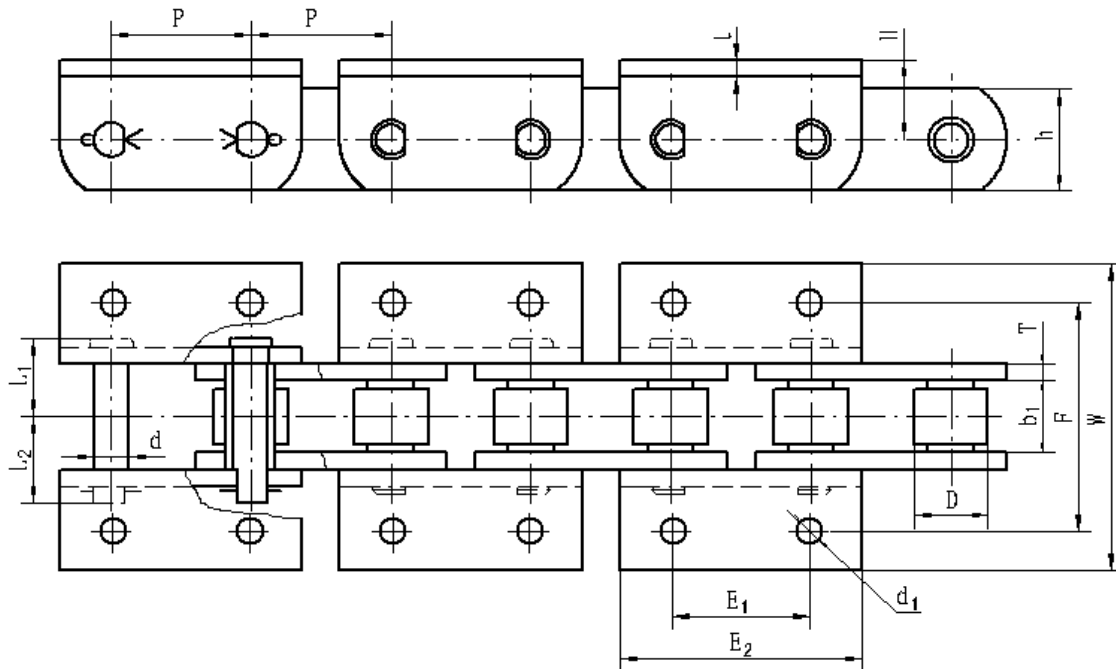
Chain No.	P mm	b 1(min) mm	D(max) mm								Qmin kN	Rated working load kN	q kg/m
				d mm	L 1 mm	L2 mm	h mm	h 1 mm	R mm	t/T mm			
SS996	152.4	37.7	69.85	18.9	44.9	49.4	50.8	7.87	266.7	9.5	311	28.23	16.86



Chain No.	P mm			D(max) mm	d mm	L 1 mm	L2 mm	h mm	T mm	Qmin kN	Rated working load kN	q kg/m
		b 1(min) mm	b 2(max) mm									
C132	152.4	73	111.5	48.5	25.4	75	90	50.8	12.7	267	44.45	21.49

Q_{min} KN = Ultimate tensile strength

Sugar Chains with the other Types



H mm	E 1 mm	E2 mm	d 1 mm	F mm	W mm
44.5	76.2	135	14.3	127	170

Chain No.	P mm	b ₁ (min) mm	D(max) mm						Q _{min} kN	Rated working load kN	q kg/m
				d mm	L 1 mm	L2 mm	h mm	t/T mm			
T3067H-BK2	77.9	39.5	41.4	19.05	44.4	43.4	57	9.5	490	26.73	23.03

Q_{min} KN = Ultimate tensile strength